

Seaward by Whale's High Quality Gimbaled Gas Ranges

What is Gimbaled Range?

A gimbal is a pivoted support mount that holds a stove in place – always in a horizontal position. This means the range will always remain steady even in rough marine conditions.

Features and Benefits of Gimbaled Ranges

- Peace of mind – Despite the weather, you can enjoy a level cooking surface in the knowledge that the stoves will not tip and cause spillages.
- Potholders from Seaward by Whale also available to ensure pans on top of the stove are also safe and secure.



Princess 2174



Princess 2175



Princess 3174



Princess 3175

Model	Princess 2174	Princess 2175	Princess 3174	Princess 3175
Burners	2 Burner Range	2 Burner Range	3 Burner Range	3 Burner Range
Description	Full grate with integrated potholders	Individual burner grates	Full grate with integrated potholders	Individual burner grates
Size (w x d x h)	21 3/8" x 17" x 22 1/16"	21 3/8" x 17" x 22 1/16"	21 3/8" x 21" x 22 1/16"	21 3/8" x 21" x 22 1/16"
Weight	75 lbs	70 lbs	95 lbs	95 lbs
Top Burner BTU	7000			
Oven Burner BTU	10000			



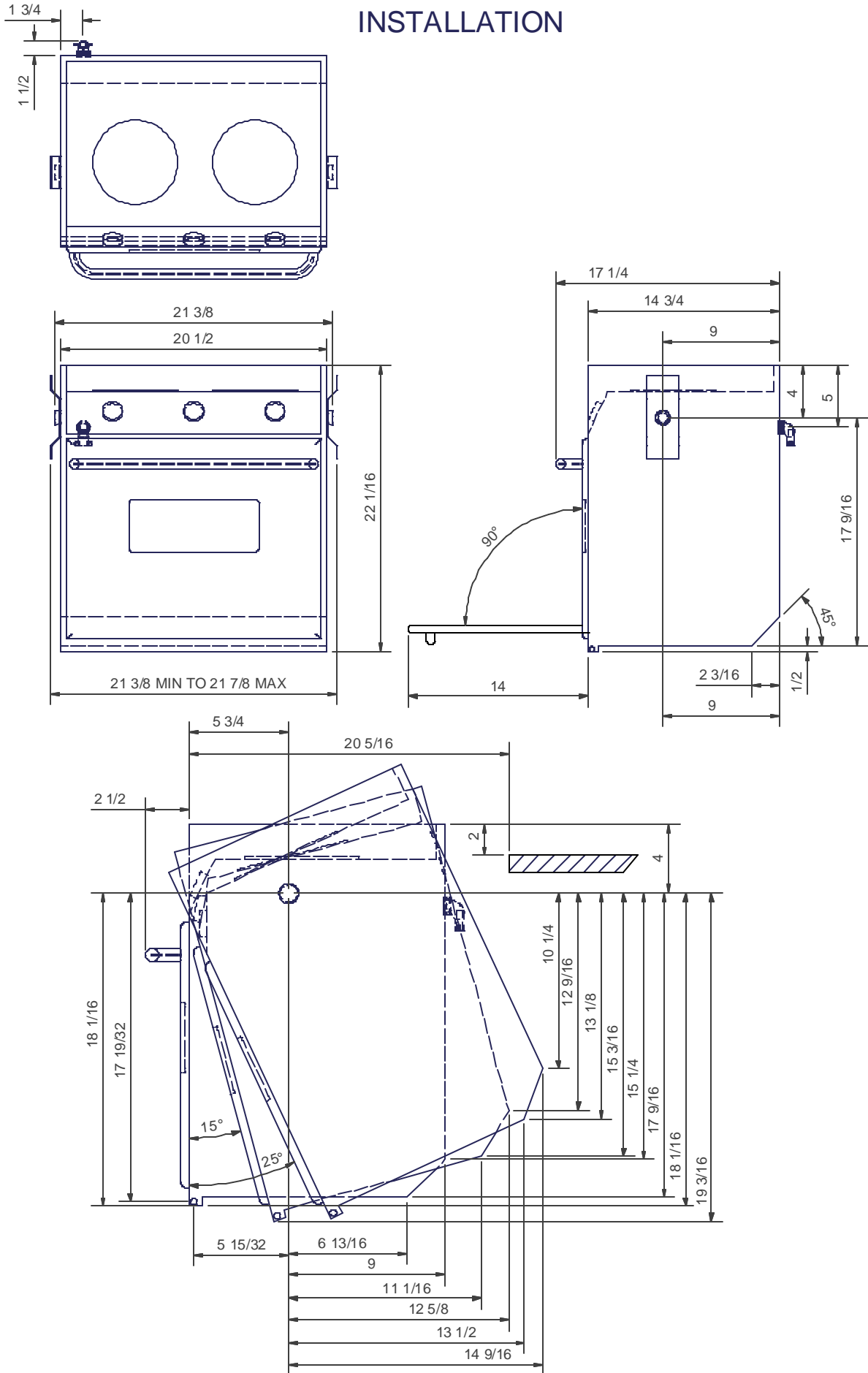
Potholders from
Seaward
by  Whale

Potholder Model	93527	93528	93529
Length	10"	10.5"	11.5"

www.whalepumps.com

seaward@whalepumps.com

2 BURNER STOVE WITH OVEN DIMENSIONS AND GIMBAL INSTALLATION



3 BURNER STOVE WITH DIMENSIONS AND GIMBAL INSTALLATION

