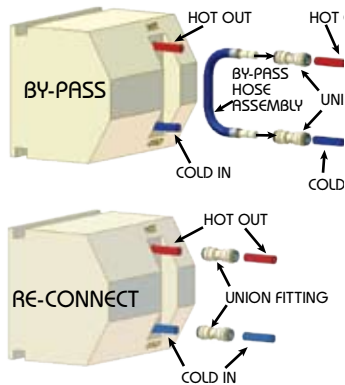


# Water Heater Winterization and Repair Kits



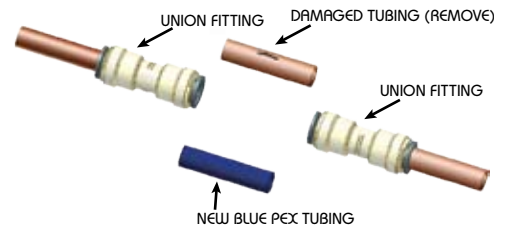
## TEMPORARY WATER HEATER BY-PASS KIT

Temporarily by-pass the water heater during winterizing. This kit can be installed where it is convenient to access your water heater supply plumbing lines. SeaTech's quick connect fittings allow you to simply cut your plastic tubing, CPVC, or copper lines for a fast, simple, no tool installation. This kit eliminates the need to unthread or uncouple any existing plumbing fittings. #35WK-01



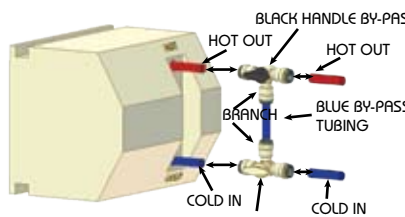
## WATER PLUMBING REPAIR KIT

The industry's first ever Do-It-Yourself plumbing repair kit. SeaTech's quick connect technology allows for easy, fast repairs of all plastic, CPVC, and copper plumbing systems. No installation tools are required for this kit; therefore this kit can be installed on the go. #35WK-02



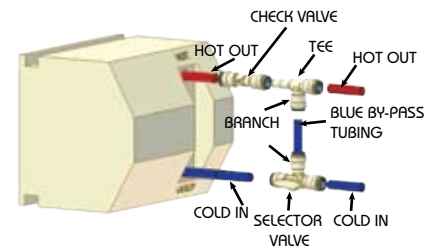
## PERMANENT WATER HEATER BY-PASS KIT

SeaTech's permanent by-pass kits allow you to winterize your system and save 6 to 10 gallons of anti-freeze when by-passing the water heater. SeaTech's quick connect technology saves time without the need of installation tools. SeaTech's robust high performance plastic fittings are taste and odor free, freeze resistant, corrosion proof, and will last the life of your system. #35WK-03 and 35WK-04



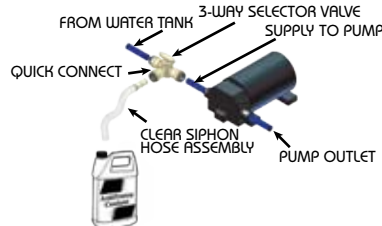
## SINGLE VALVE WATER HEATER BY-PASS KIT

The use of a check valve and the elimination of a second 3-way valve allows for a single valve by-pass. This innovative kit design requires less space for installation, eliminates confusion during by-pass operation, and saves time. #35WK-05



## WATER SYSTEM SIPHON KIT

This kit allows you to quickly fill your plumbing system with non-toxic anti-freeze. SeaTech's quick connect technology allows you to save time without the need for installation tools. Simply cut the tubing where convenient and connect SeaTech's valve to any plastic, CPVC, or copper plumbing line. The suction hose assembly can be disconnected and stowed after use. #35WK-06



SeaTech fittings can be used with  
Pex, Copper, CPVC and Polybutylene



Call 888-500-0056

[www.seatechinc.com](http://www.seatechinc.com)