

# MAXWELL

A **vetus** COMPANY



**Why Choose MAXWELL Windlasses?**

# MAXWELL

A **vetus** COMPANY

## Why Choose a Maxwell Windlass?

- **Who is MAXWELL?**
- **Product Review ( Unique Selling Features)**
  - **RC Series , HRC Series, VWC Series, VW Series, HWC Series**
  - **Accessories**
- **Why choose Maxwell as your preferred windlasses supplier?**

# MAXWELL

A **vetus** COMPANY

## Who is Maxwell

- **For four decades the name Maxwell has been synonymous with the highest standards of performance in providing anchoring solutions for pleasure boats, Superyachts and commercial vessels.**
- **Our international reputation for excellence has evolved through ongoing R & D, innovative design, customer service and a commitment to style and quality that is unparalleled in the industry.**
- **Maxwell's history is one of innovation and today is no exception. From the introduction of the world's first automatic rope/chain windlass during the mid 1990's to the custom built Superyacht series of the future, Maxwell continues to exceed client expectation over and over again in every aspect of reliability, functionality and design**

# MAXWELL

A **VETUS** COMPANY

## Who is Maxwell America

- **MAXWELL America is centrally located in Baltimore, MD**
  - **Maxwell America has been serving the USA market for 25 Years**
  - **Maxwell has built its reputation in the USA supplying high quality boat builders such as:**

<i>Albemarle Boats</i>	<i>Crownline</i>	<i>Intrepid</i>	<i>Neptunus</i>	<i>Trinity</i>
<i>Baha Cruiser</i>	<i>Doral Boats</i>	<i>Kady Krogen</i>	<i>Nordhaven</i>	<i>Broward</i>
<i>Boats</i>	<i>Endeavour</i>	<i>KCS Cruisers</i>	<i>Rampage</i>	<i>Burger</i>
<i>Carver</i>	<i>Catamaran</i>	<i>Larson Boats</i>	<i>Silverton</i>	<i>Palmer Johnson</i>
<i>Catalina Yachts</i>	<i>Four Winns</i>	<i>Lazzara Yacht</i>	<i>Tiara</i>	<i>Aleutian</i>
<i>Chris Craft</i>	<i>Freedom Yachts</i>	<i>Manta Catamarans</i>	<i>Triumph</i>	<i>Northcoast</i>
<i>Cigarette</i>	<i>Hatteras Yachts</i>	<i>Marquis</i>	<i>Venture</i>	<i>Delta</i>
<i>Cobalt Boats</i>	<i>Hunter</i>	<i>Mastercraft</i>	<i>Wellcraft</i>	
	<i>Marlow</i>	<i>Mirage</i>	<i>Christiansen</i>	
  - **Maxwell America also has a vast network of Distributors and Retailers across the USA and the globe.**

# MAXWELL

A **Vetus** COMPANY

## RC Vertical Windlass Series



**RC6 Windlass**



**RC8 Windlass**



**RC10 Windlass**

### SPECIFICATIONS

Model	RC6
Maximum Pull	300kg 660lbs
Chain Short Link	6mm/7mm 1/4"
Rope Size (Nylon)* (3 strand or 8 plait recommended)	12mm 1/2"
Chain Speed (Anchor Retrieval)	24m/min 79ft/min
Rope Speed (Anchor Retrieval)	21m/min 69ft/min
Power Supply (DC)	12V or 24V
Motor Power	500W
Net Weight	8.5kg 18.7lbs

### SPECIFICATIONS

Model	RC8 8mm - 5/16"
Maximum Pull	600kg 1320lbs
Chain Short Link	8mm 5/16"
Rope Size (Nylon)* (3 strand or 8 plait recommended)	14mm 9/16"
Chain Speed (Anchor Retrieval)	32m/min 105ft/min
Rope Speed (Anchor Retrieval)	28m/min 92ft/min
Power Supply (DC)	12V or 24V
Motor Power	1000W
Net Weight	16.5kg 36.3lbs

### SPECIFICATIONS

Model	RC10 10mm - 3/8"
Maximum Pull	850kg 1870lbs
Chain Short Link	10mm 3/8"
Rope Size	16mm 5/8"
Chain Speed (Anchor Retrieval)	24m/min 79ft/min
Rope Speed (Anchor Retrieval)	20m/min 65ft/min
Power Supply (DC)	12 or 24V
Motor (Watts)	1200W
Net Weight	20kg 44lbs

### Unique Features of RC Series

- **Patented Universal Chain Wheel**
  - RC6, 8 & 10 accepts “ANY” Marine Grade Chain
    - G4, BBB, Proof Coil and Metric
    - Example RC 6 / 1 Gypsy handles ¼” G4, BBB, Proof Coil, 6&7 MM

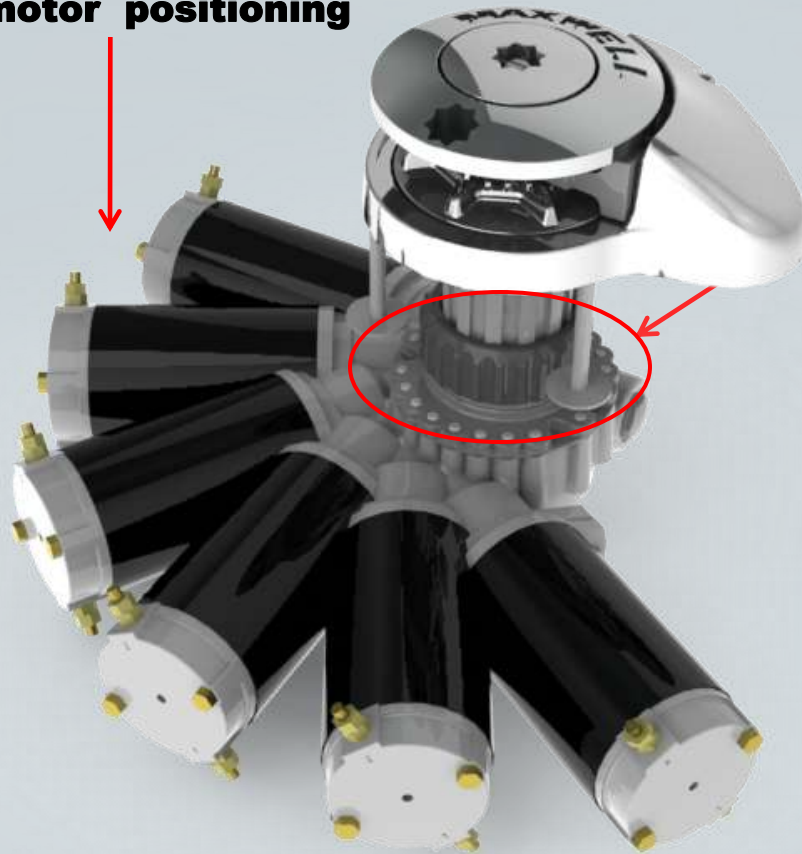


- **Patented Wave Design**
  - Wave pattern ensures maximum hold while not chaffing or frying the anchor line.
  - No more damages Rodes from sharp rope pocket teeth.
  - No more rope jams!



### Unique Features of RC Series

**360 deg.  
motor positioning**



- **Unique Fast Installation Nut**
  - **One person Install**
  - **Multiple Motor Positions**
  - **Perfect shaft alignment**
    - **Don't have to worry about under-deck run-out.**

**NOTE:**

*Most other Windlasses sandwich the deck between the deck unit and gear box relying on the top and bottom of the deck being on the exact same plane.*

### Unique Features of RC Series



**Brass Studs for better conductivity**

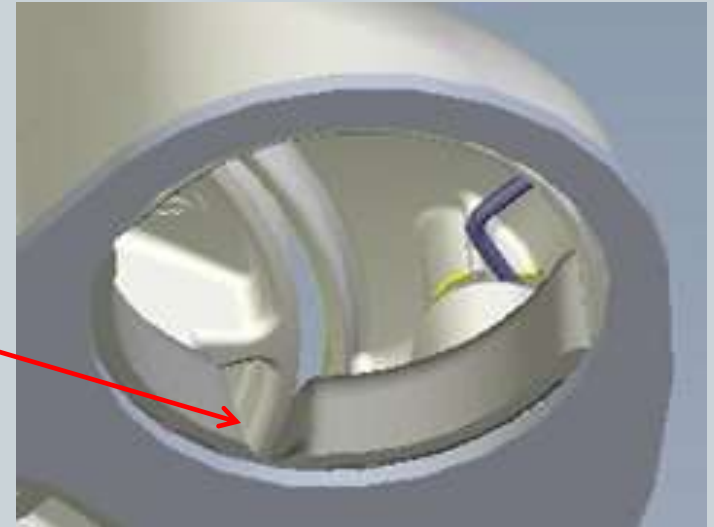
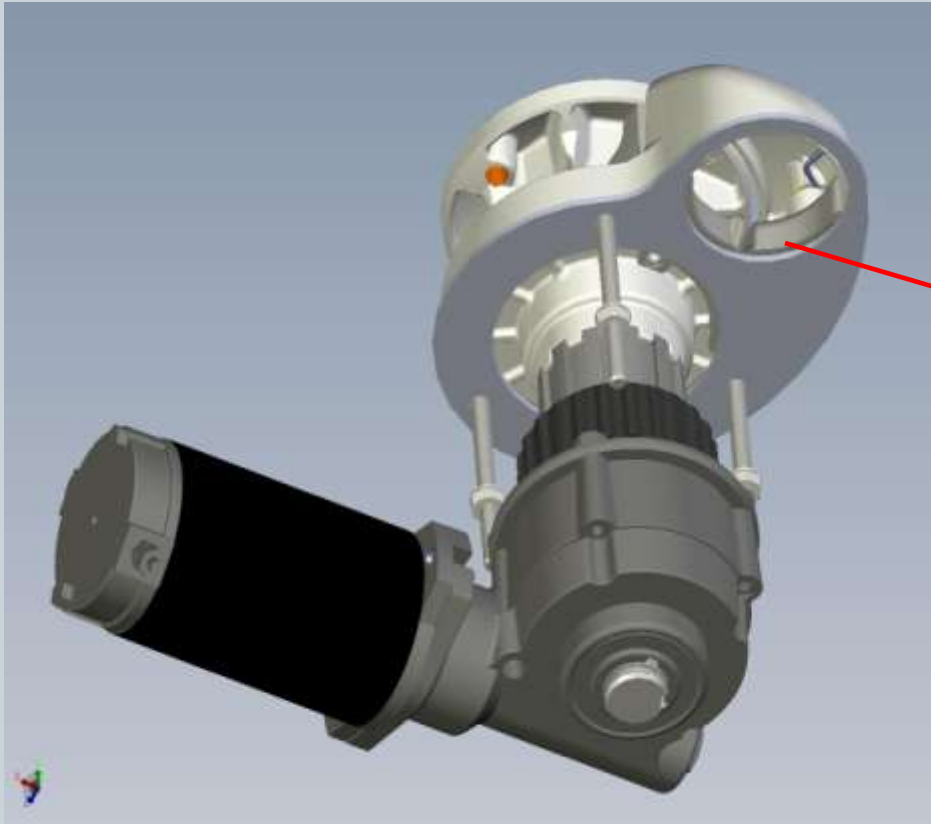


**Oil Level Window**





### Unique Features of RC Series



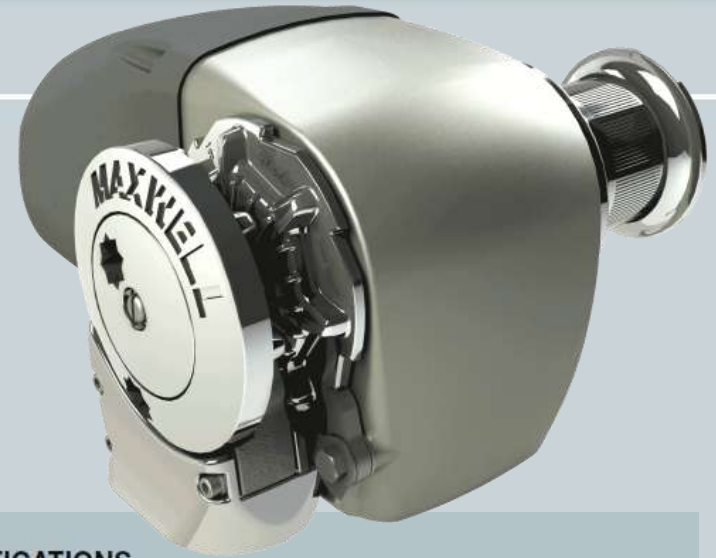
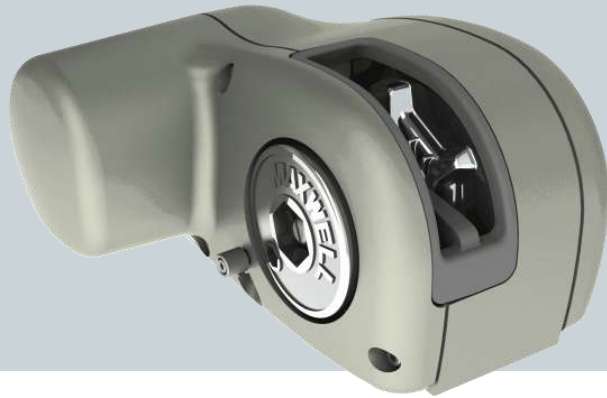
#### Chain Alignment Slot

- Allows for worry-free chain deployment and retrieval
- Prevents Chain jam's and kinking.

# MAXWELL

# HRC Horizontal Windlass Series

A **Vetus** COMPANY



## SPECIFICATIONS

Model	HRC6	HRC8
Maximum Pull	270kg 600lbs	405kg 900lbs
Chain Short Link	6mm/7mm 1/4"	6mm/7mm/8mm 1/4" - 5/16"
Rope Size (Nylon)* (3 strand or 8 plait recommended)	12mm 1/2"	12mm/14mm 1/2" - 9/16"
Line Speed (Anchor Retrieval) Nominal 30kg working load	33m/min 108ft/min	33m/min 108ft/min
Power Supply (DC)	12V or 24V	12V or 24V
Motor Power	400W	600W
Net Weight	11.5kg 25lbs	11.5kg 25lbs

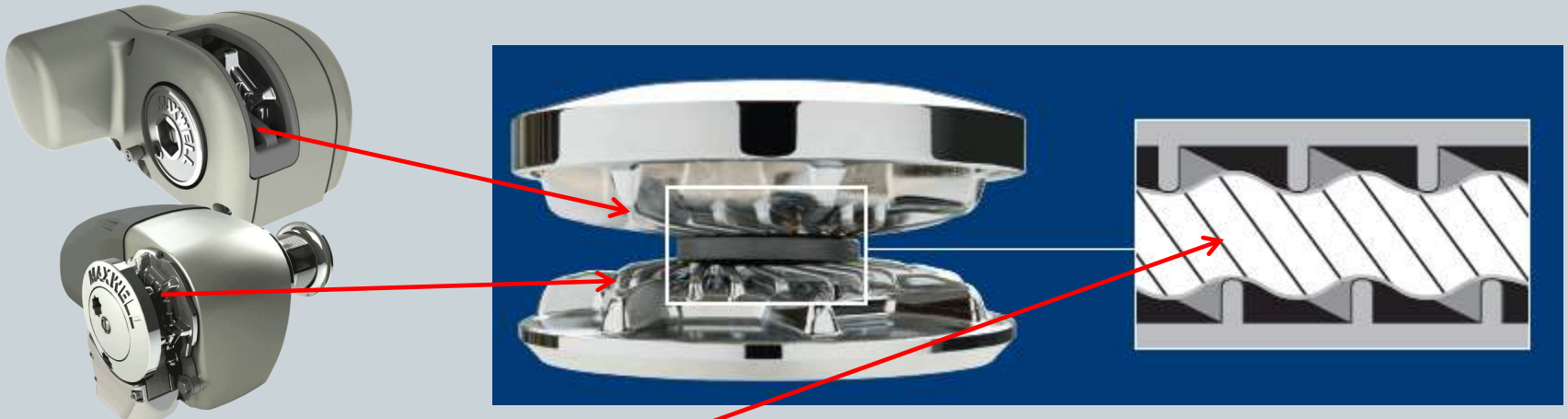
## SPECIFICATIONS

Model	HRC10-8*	HRC10-10*
Maximum Pull	700kg 1540lbs	850kg 1870lbs
Chain Short Link	8mm 5/16"	10mm 3/8"
Rope Size	14mm - 16mm 9/16" - 5/8"	16mm 5/8"
Chain Speed (Anchor Retrieval)	24m/min 79ft/min	24m/min 79ft/min
Rope Speed (Anchor Retrieval)	20m/min 65ft/min	20m/min 65ft/min
Power Supply (DC)	12 or 24V	12 or 24V
Motor (Watts)	1000W	1200W
Net Weight	19kg 42lbs	20kg 44lbs

\*8mm - 5/16" or 10mm - 3/8" chain wheels can be used on either of the above models

### Unique Features of HRC Series

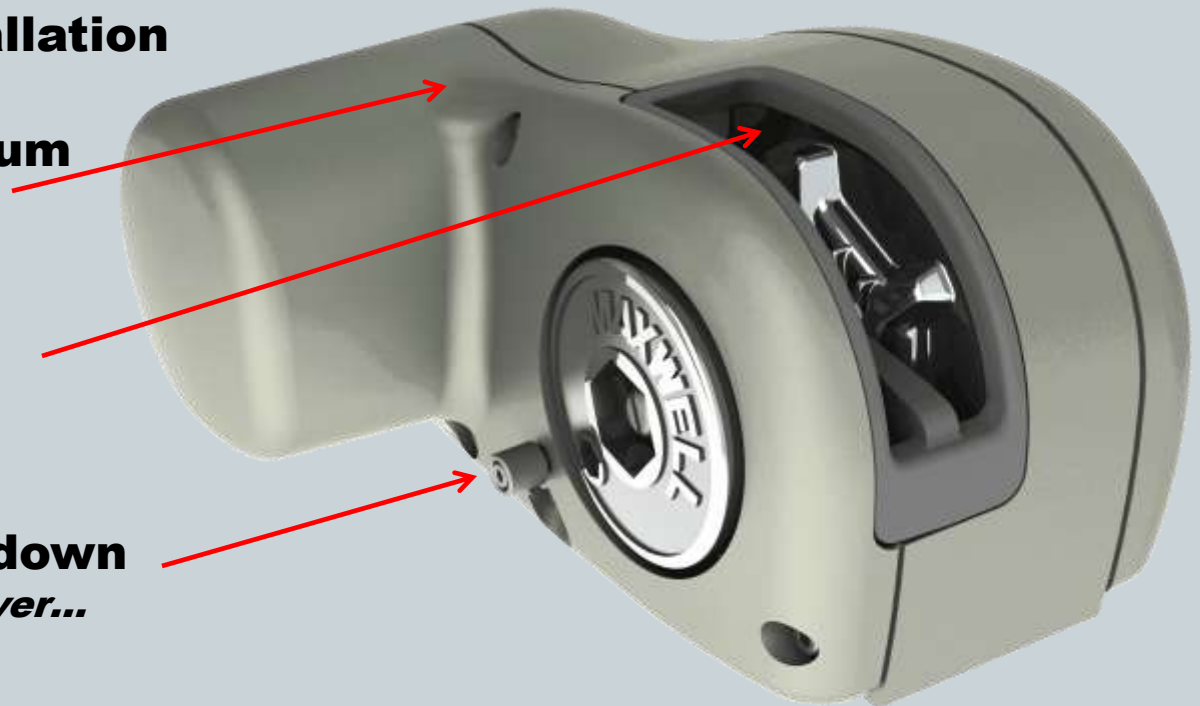
- **Patented Universal Chain Wheel**
  - **RC6, 8 & 10 accepts "ANY" Marine Grade Chain**
    - **G4, BBB, Proof Coil and Metric**
    - **Example RC 6 / 1 Gypsy handles 1/4" G4, BBB, Proof Coil, 6&7 MM**



- **Patented Wave Design**
  - **Wave pattern ensures maximum hold while not chaffing or frying the anchor line.**
  - **No more damages Rodes from sharp rope pocket teeth.**
  - **No more rope jams!**

### Unique Features of HRC 6 & 8

- **Easy above deck installation**
- **Sleek anodized aluminum design**
- **Internal Pressure Arm**
- **Free Fall or Power up/down**
  - *Simply engage the FF lever...*



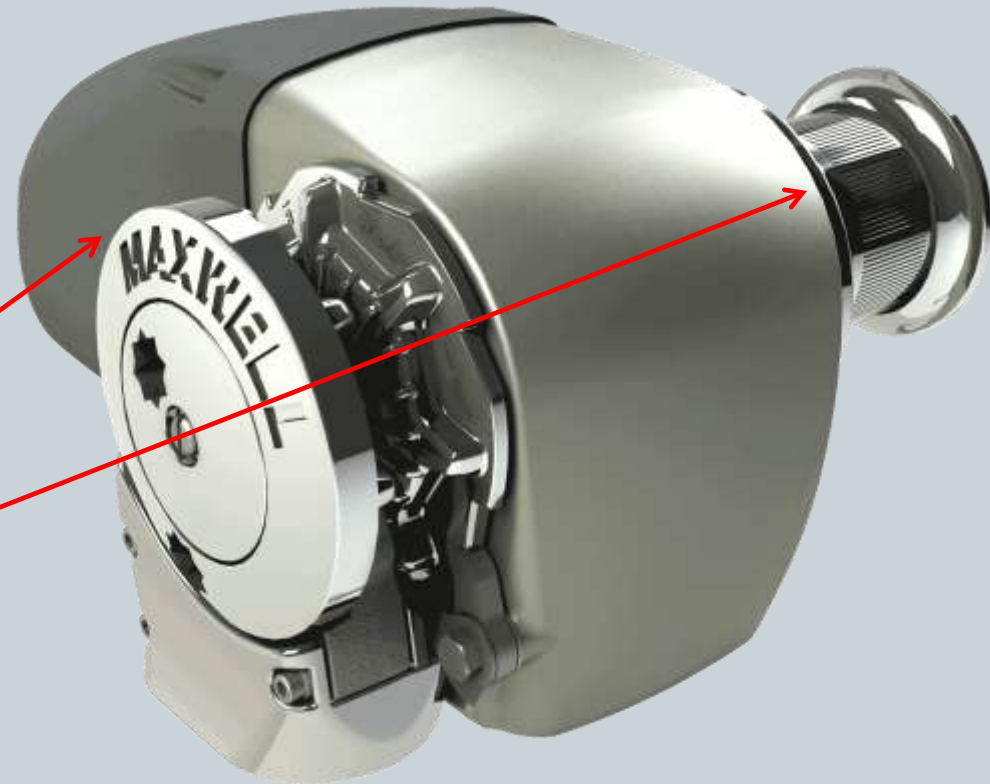
# MAXWELL

A **VETUS** COMPANY

## HRC Horizontal Windlass Series

### Unique Features of HRC 10

- **Easy above deck installation**
- **Sleek anodized aluminum design**
- **Removable Composite Motor cover for ease of service without removing from deck**
- **Optional Capstan**





# MAXWELL

A **Vetus** COMPANY

## VW SERIES

### SPECIFICATIONS

MODEL	500*	1000	1500	2200	3500
Maximum Pull	227kg 500lbs	455kg 1000lbs	680kg 1500lbs	1000kg 2200lbs	1590kg 3500lbs
Chain Short Link	6/7mm 1/4"	6-10mm 1/4" -3/8"	6-10mm 1/4" -3/8"	9-11mm 5/16" -3/8"	10-13mm 3/8" -1/2"
Line Speed** (Normal Working)	18m/min 59ft/min	18m/min 59ft/min	18m/min 59ft/min	15m/min 50ft/min	10m/min 33ft/min
Power Supply (DC)	12 or 24V	12 or 24V	12 or 24V	12 or 24V	12 or 24V
Motor (Watts)	600W	1000W	1200W	1200W	1200W
Net Weight (Electric)	10kg 22lbs	22kg 50lbs	22kg 50lbs	39kg 87lbs	48kg 105lbs
Hydraulic Pressure	N/A	100bar 1450psi	138bar 2000psi	135bar 1950psi	138bar 2000psi
Hydraulic Flow	N/A	20 l/min 5.3USgal/min	20 l/min 5.3USgal/min	36 l/min 9.5USgal/min	42 l/min 11USgal/min
Net Weight (Hyd)	N/A	15kg 34lbs	15kg 34lbs	33kg 72lbs	40kg 88lbs

\* Available USA only.



2200 VW



VW HORIZONTAL INSTALLATION



# MAXWELL

A **Vetus** COMPANY

## VWC SERIES

### SPECIFICATIONS

MODEL	1000	1500	2200	2500	3500
Maximum Pull	455kg 1000lbs	680kg 1500lbs	1000kg 2200lbs	1135kg 2500lbs	1590kg 3500lbs
Chain Short Link	6-10mm 1/4" - 3/8"	6-10mm 1/4" - 3/8"	9-11mm 5/16" - 7/16"	9-11mm 5/16" - 7/16"	10-13mm 3/8" - 1/2"
Line Speed (Normal Working)	18m/min 60ft/min	18m/min 60ft/min	15m/min 50ft/min	14.5m/min 48ft/min	10m/min 33ft/min
Power Supply (dc)	12 or 24V	12 or 24V	12 or 24V	24V only	12 or 24V
Motor (watts)	1000W	1200W	1200W	1500W	1200W
Net Weight - dc	24kg 52lbs	24kg 52lbs	41kg 90lbs	41kg 90lbs	48kg 106lbs
Hydraulic Pressure	100bar 1450PSI	138bar 2000PSI	135bar 1950PSI	N/A N/A	138bar 2000PSI
Hydraulic Flow	20 l/min 5.3USgal/min	20 l/min 5.3USgal/min	36 l/min 9.5USgal/min	N/A N/A	42 l/min 11USgal/min
Net Weight - Hyd	17kg 37lbs	17kg 37lbs	35kg 77lbs	N/A N/A	40kg 88lbs



1500 VWC



2200 VWCLP

# MAXWELL

A **vetus** COMPANY

## HWC SERIES

### SPECIFICATIONS

MODEL	1500	2200	3500	HWVC3500
Maximum Pull	680kg 1500lbs	1000kg 2200lbs	1590kg 3500lbs	1590kg 3500lbs
Chain Short Link	6-10mm 1/4" - 3/8"	9-11mm 5/16" - 3/8"	10-13mm 3/8" - 1/2"	10-13mm 3/8" - 1/2"
Line Speed (Normal Working)	17m/min 56ft/min	17m/min 56ft/min	10m/min 33ft/min	10m/min 33ft/min
Power Supply (DC)	12 or 24V	12 or 24V	12 or 24V	12 or 24V
Motor (Power)	1200W	1200W	1200W	1200W
Net Weight - DC	24kg 52lbs	55kg 121lbs	57kg 125lbs	94.5kg 208lbs
Hydraulic Pressure	138bar 2000psi	135bar 1950psi	138bar 2000psi	138bar 2000psi
Hydraulic Flow	20 l/min 5.3 USgal/min	36 l/min 9.5 USgal/min	40 l/min 11 USgal/min	40 l/min 11 USgal/min
Net Weight - Hyd	17kg 37lbs	48.5kg 107lbs	49kg 107lbs	80kg 176lbs



3500 HWVC



1500 HWC

# MAXWELL

A **vetus** COMPANY

## **Why choose Maxwell as your preferred windlass supplier?**

- **Maxwell Invented the Rope/Chain Windlass !**
- **Maxwell is the worlds Largest Super-yacht windlass manufacturer.**
  - **Super-Yacht innovation is incorporated in all our windlasses.**
- **If the Highest Profile Super-yacht builders in the world choose Maxwell for their 100-250' yachts, why wouldn't you choose Maxwell for 20-60' boats?**
- **Our Patented Universal Wave Design Gypsy;**
  - **Cuts down on SKU's and inventory**
  - **Boats across the globe can use the same units without changing gypsy's.**
    - **1 gypsy accepts G4, BBB, Proof Coil and Metric**
  - **Wave Design rope pockets eliminate customer calls regarding jammed and frayed anchor rodes.**
- **Maxwell has less than 1% warranty rate per year.**
- **3 Year Full Warranty.**

# MAXWELL

A **vetus** COMPANY

## **Why choose Maxwell as your preferred windlass supplier?**

- **Competitive Pricing.**
- **Over 18 Certified Windlass Service Center in USA**
- **Hundreds of Distributors, Dealers and Service Centers Across the globe.**
  - **No Windlass Company has better world wide product support!**