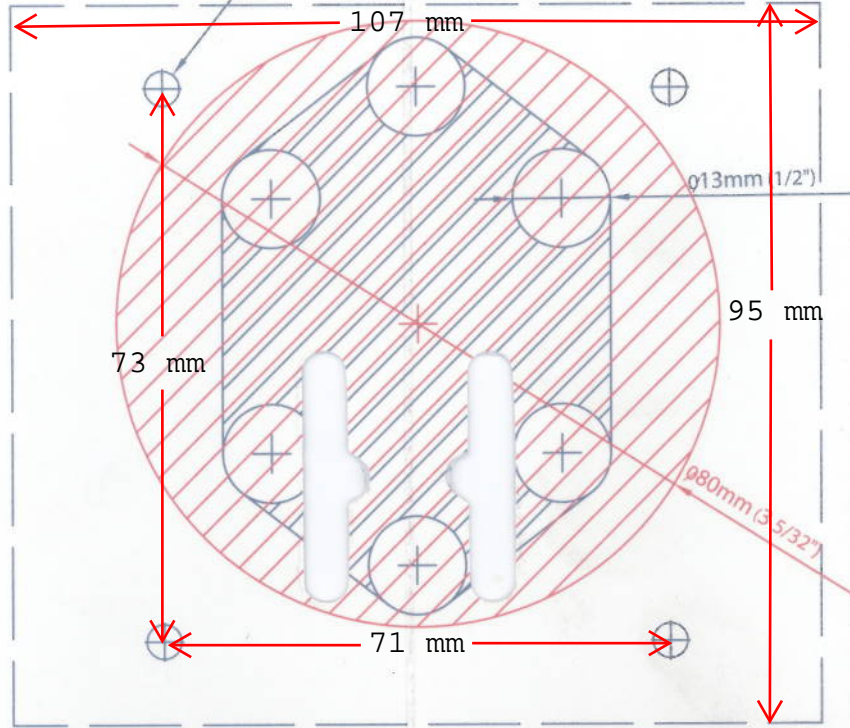


P103100 09/04

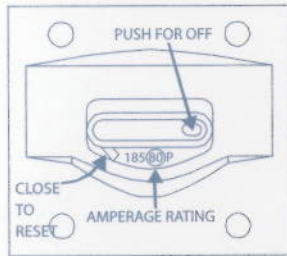
2.4mm (3/32") PILOT HOLE
FOR 6 GAUGE SCREW
OR TO SUIT MATERIAL

SCALE 1:1



MOUNTING OPTION 1

MOUNTING OPTION 2



**MAXWELL CIRCUIT BREAKER
WIRING DIAGRAM**

NOTE: THIS DIAGRAM IS NOT
INTENDED TO BE A FULL SYSTEMS
WIRING DIAGRAM. ITS SOLE
PURPOSE IS TO SHOW WINCH
BREAKER PANEL CONNECTIONS

