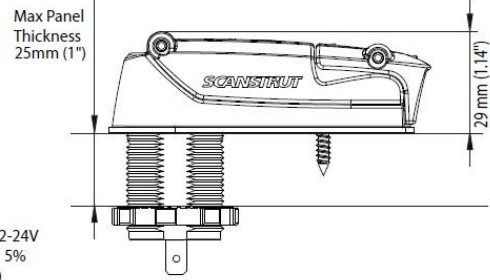
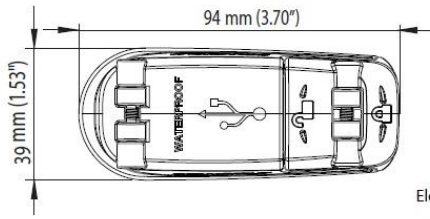


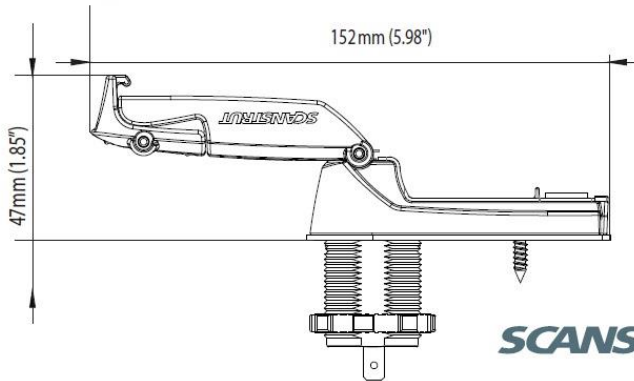
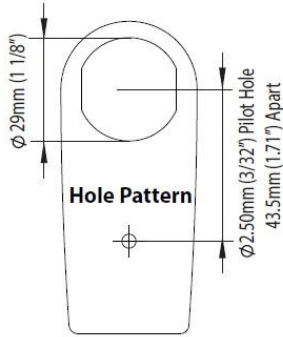
ROKK Charge+ Waterproof USB Socket - SC-USB-02


For help & information
email: technical@scanstrut.com
tel: +44 (0) 1392 531280



Electrical info:

- USB Input Voltage Range 12-24V
- USB Output Voltage 5V +/- 5%
- Output Current 4.2A (Total)



 * Early release, subject to change.

SCANSTRUT