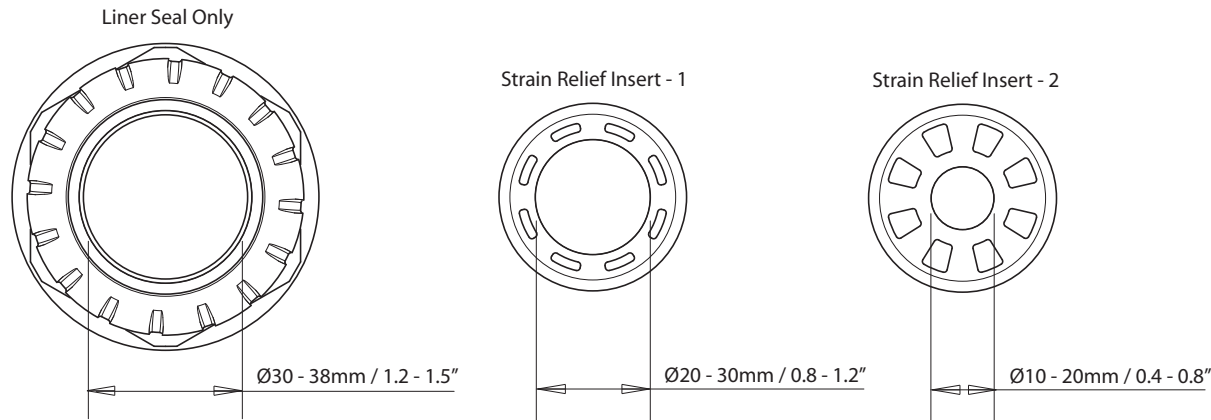
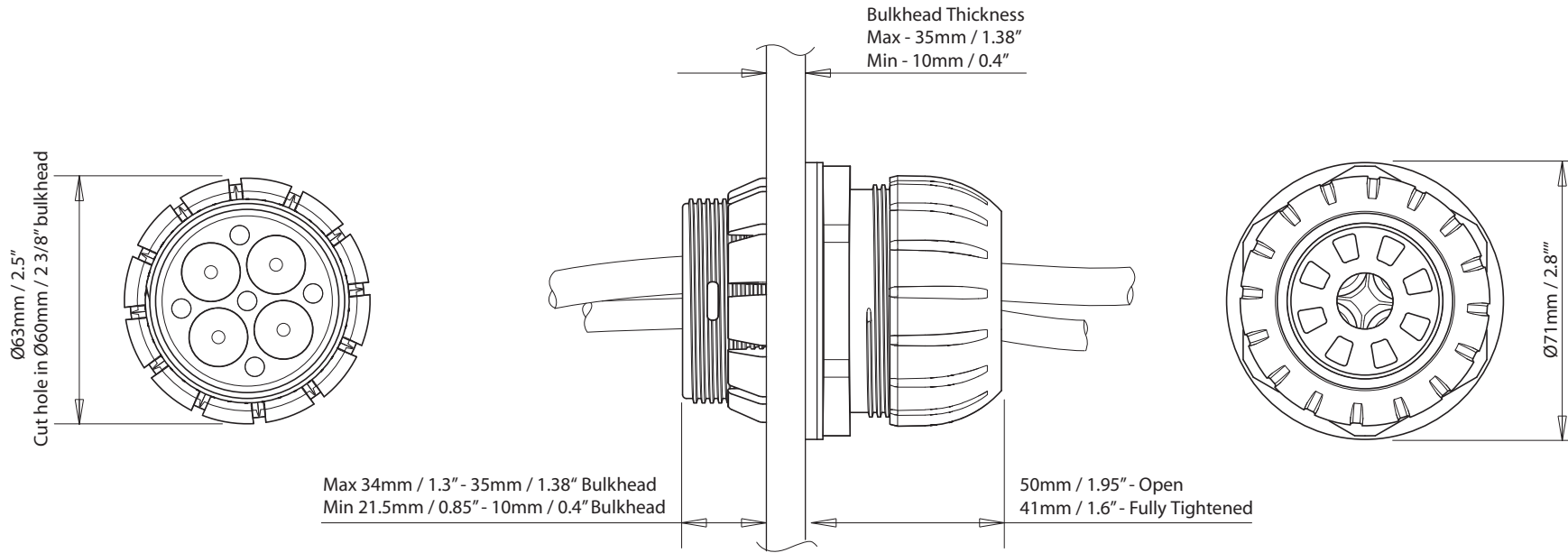


Through Bulkhead Cable Seal - TBH-4 & TBH-10

For help & information
 email: technical@scanstrut.com
 tel: +44 (0) 1803 863800



- Dimensions shown represent compression range. Use this as a guide and select best fit for cable loom diameter.

TBH-4
 Up to 4 x cables Ø 7mm (0.28") - Ø 15mm (0.6")

TBH-10
 Up to 10 x cables Ø 5mm (0.2") - Ø 7mm (0.28")

