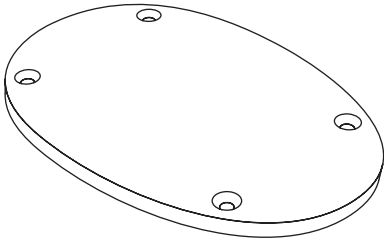


ADA-BLANK

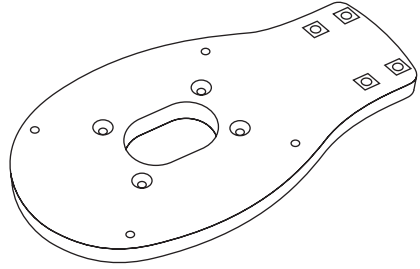
INSTALLATION INSTRUCTIONS

www.seaviewglobal.com

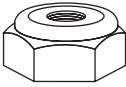
PARTS INCLUDED



AD-AFN-M2BLANK

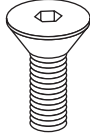


AD-AFN-MIP



$\frac{5}{16}$ " - 18

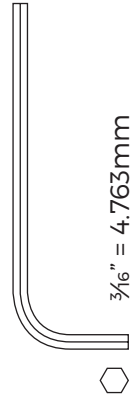
x4



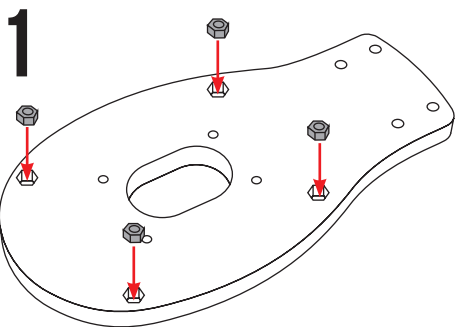
$\frac{5}{16}$ " - $1\frac{1}{4}$ "

x8

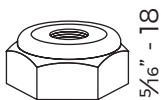
TOOLS NEEDED



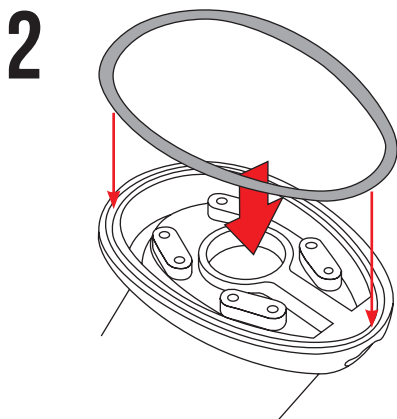
$\frac{3}{16}$ " = 4.763mm



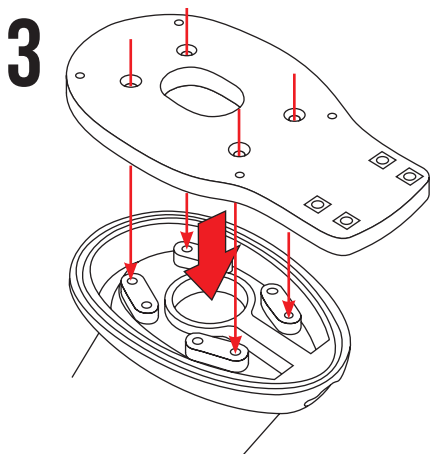
Insert the four nuts into the underside of the AD-AFN-M1P plate.



x4

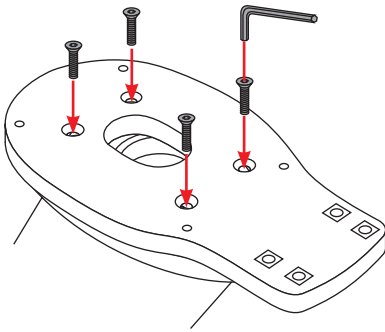


Place the rubber gasket into the groove on the top of the Seaview mount. Note, that the rubber gasket is included in the Seaview mount kit.

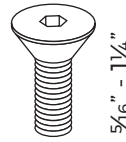


Place the AD-AFN-M1P on top of the mount, be sure to line up the four mounting holes.

4

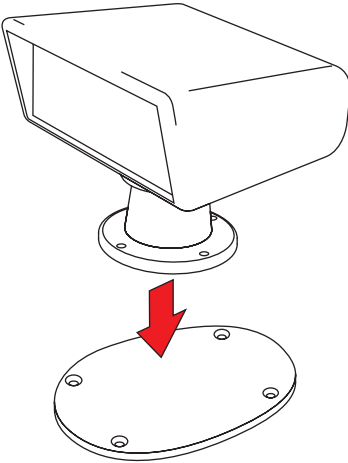


Bolt the AD-AFN-M1P down with four $\frac{5}{16}$ " - $1\frac{1}{4}$ " bolts using an allen wrench.



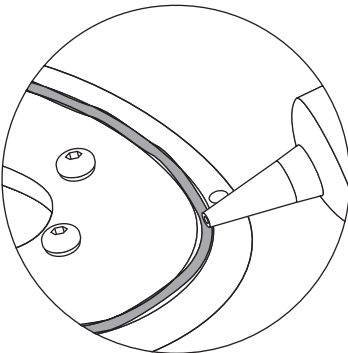
x4

5



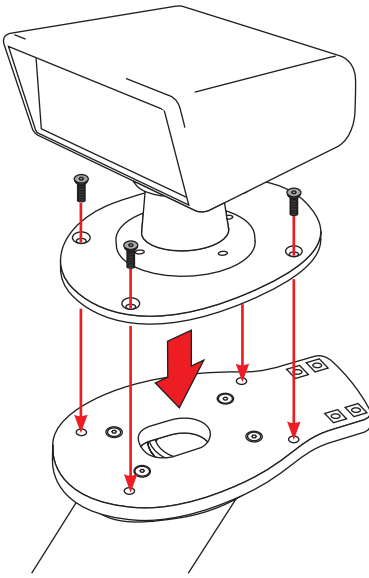
Carefully drill and mount your search light to the AD-AFN-M2BLANK plate. Secure the search light using the hardware provided by the manufacturer.

6

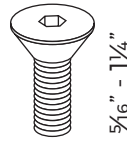


Apply marine adhesive sealant to the groove on the underside of the ADA-FN-M2BLANK plate.

7

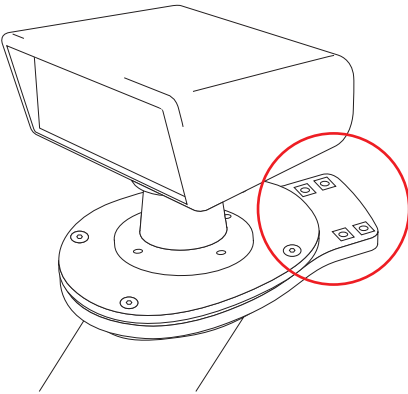


Bolt the ADA-FN-M2BLANK plate down with four $\frac{5}{16}$ " - $1\frac{1}{4}$ " bolts using an allen wrench.



x4

8



The four holes on the back of the ADA-F2 are for securing the optional Seaview Light Bar to the top plate..

Notes:



NORTH AMERICAN OFFICE

12532 Beverly Park Road,
Lynnwood, WA 98087
Tel: 800-523-7558
Fax: 425-355-3661
www.seaviewglobal.com

EUROPEAN OFFICE

Tel: +33 4 94 53 27 70
Fax: +33 4 94 53 26 62
ZI Du Capitou, 85 Rue Louis
Lepine, Frejus 83600 - France
www.seaviewprogress.com