

AcquaLink 7" TFT Display

Description

The AcquaLink® capacitive multi-touch TFT display is available in 7" display size. The full 24 bit / 16 mio. Colour optically bonded display features transfective layer technology for unprecedented and unsurpassed readability even in direct sunlight. The TFT display connects directly to the VDO Bus backbone. For simple installation in any yacht, up to 5 displays can be installed per VDO Bus line.

AcquaLink 7 TFT display also has an innovative feature, in case that is installed on board in standalone configuration, it will load dedicated standalone feature mainly touch screen. This feature is perfect for mast installation in sailing vessel, so that the customer can reproduce the needed information a single display using big numbers. the same feature is available with Horizontal layout, this will permit to vessel, with a limited space under the boom to have 3 information in a single display.



A2C59501997



A2C3997470001

Features

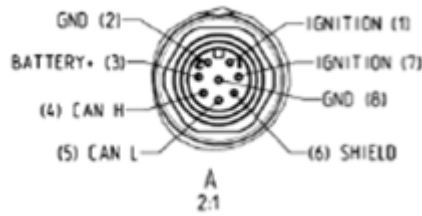
- Full 24 bit / 16 mio. colours
- Optically bonded display
- Multi touchscreen
- Transfective layer technology for unprecedented and unsurpassed readability even in direct sunlight
- VDO Bus backbone for simple installation
- Direct video inputs
- Compatible with unique VDO NavControl
- Flush mount possibility
- Protection to IP X7 exposed (with cable plugged)

| Technical Data | |
|------------------------------------|--|
| Housing | Material: Aluminum Case Display: Touch Screen Bezel: PC-FR |
| Dimensions | WxH: 250mm x 125mm Installation Depth: 40mm |
| Display | Viewing Area: 190mm x 100mm |
| Start-Up Time | Cold start: 5sec Warm start: 3sec |
| Colors | Full 24 bit / 16 mio. colors |
| In-/Outputs | 2x M12 VDO Bus Connector; 2x M12 Video Connectors |
| Supply Voltage | 12 -24 VDC |
| Rated Voltage | 9 -32 VDC |
| Current Consumption | <1 Ampere |
| Operating Temperature | -25°C / +70°C |
| Storage Temperature | -40°C / +85°C |
| Nominal Position | NL 0° to NL 90°; According to DIN 16257 |
| Mounting/Fixing | Front mount |
| Protection Class | IEC 60945 exposed equipment (IPX7 extended) |
| Flammability | UL-94V0 |
| EMC | IEC 60945:2002 / ISO7637-2 |
| Reverse Polarity Protection | Yes, 1 minute |
| Short Circuit Protection | Yes, 1 minute |
| Approval | CE; RoHS and IEC 60945 |

Connectors

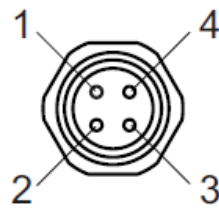
2x VDO Bus

| Pins | Function |
|------|-------------------|
| 1 | Ignition / Kl. 15 |
| 2 | GND / Kl. 31 |
| 3 | Battery+ / Kl. 30 |
| 4 | CAN H |
| 5 | CAN L |
| 6 | Shield |
| 7 | Ignition / Kl. 15 |
| 8 | GND / Kl. 31 |

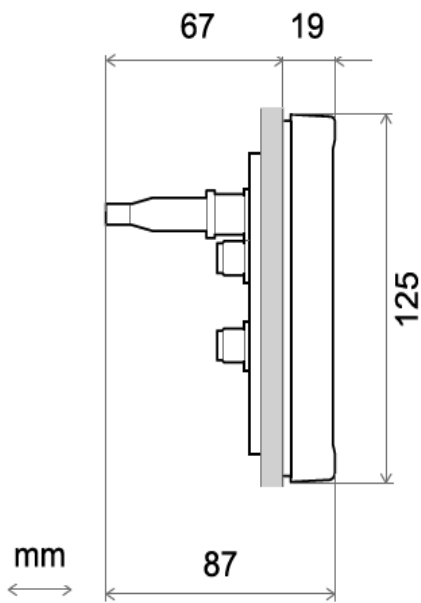
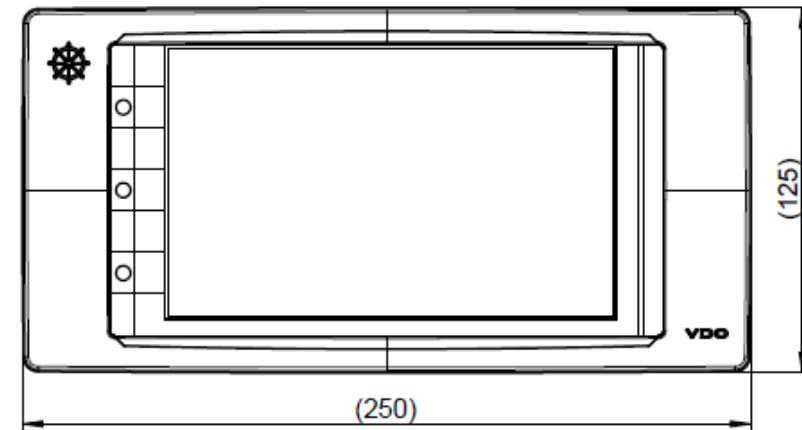


2x Video Input

| Pins | Function |
|------|---------------|
| 1 | Video Input 2 |
| 2 | Video Input 1 |
| 3 | GND |
| 4 | GND |

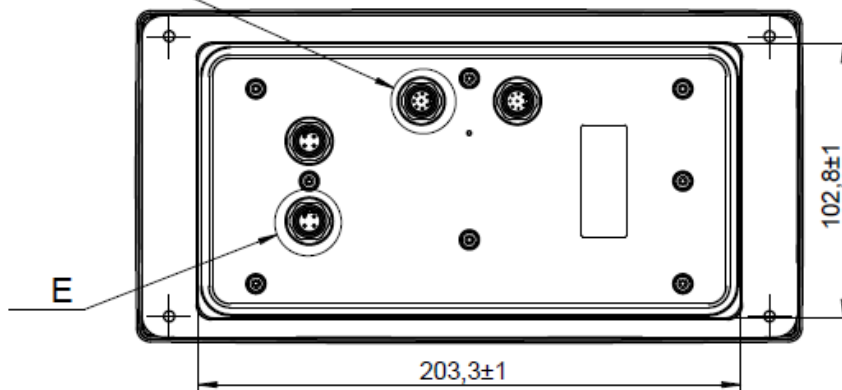


Mechanical Design



mm

D View without connector cups



Accessories

| Part Number | Item specifics |
|---------------|---|
| A2C59501968 | Dark Grey bezel TFT 7" |
| A2C3995200001 | White Bezel printed |
| A2C59501948 | 8 pin male cable, straight VDO Bus input 5.0 m |
| A2C59501949 | 8 pin male cable, straight VDO Bus input 10.0 m |
| A2C59501950 | 4 pin female cable, straight Video input 0.5m |
| A2C59501951 | 4 pin female cable, straight Video input 2.0m |
| A2C59501952 | 4 pin female cable, straight Video input 5.0m |
| A2C59501953 | 4 pin female cable, straight Video input 10.0m |
| A2C59501958 | 8 pin female cable, straight VDO Bus input 0.5m |
| A2C59501960 | 8 pin female cable, straight VDO Bus input 2.0m |
| A2C59501961 | 8 pin female cable, straight VDO Bus input 5.0m |
| A2C59501962 | 8 pin female cable, straight VDO Bus input 10.0m |
| A2C59501959 | 8 pin female cable, 90° angle VDO Bus input 0.5 m |
| A2C99791100 | Video harness |
| A2C59501973 | Silicone cover for 7" TFT |