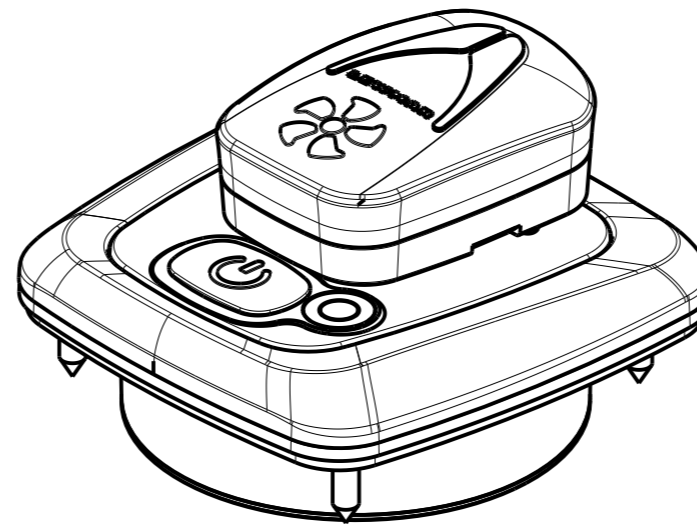
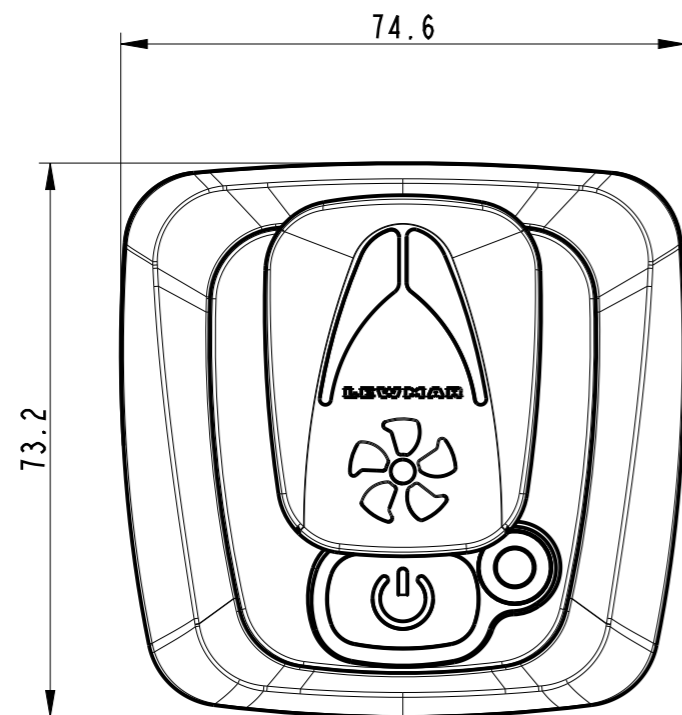


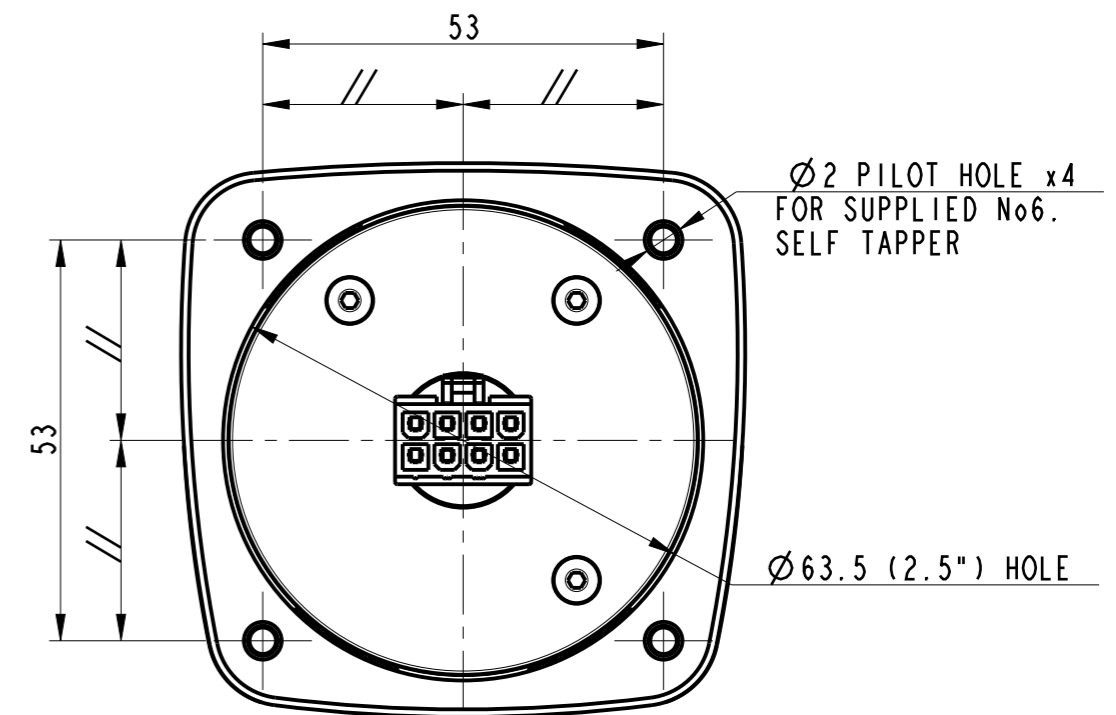
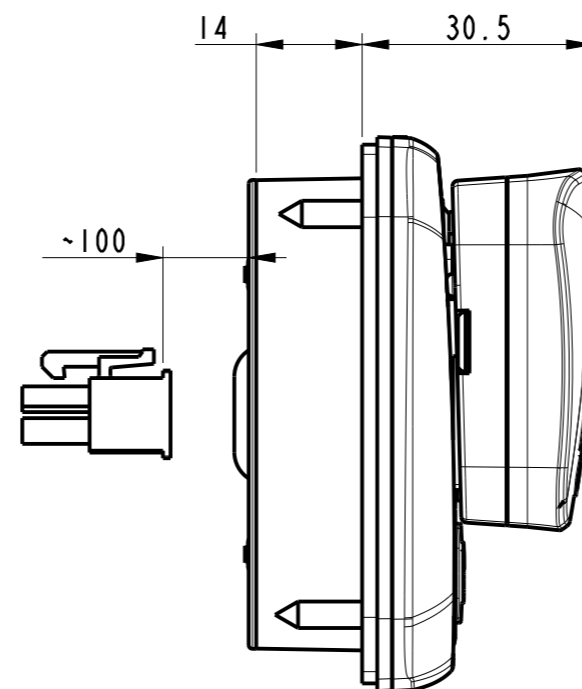
NOTE: SUN COVER REMOVED



NOTES:  
 FOR USE WITH:  
 GEN2 I.C.U. TT 589274  
 GEN2 I.C.U. RT 589296  
 TO BE USED GEN2 WIRE PANEL/AUX LOOM: 589801 - 589805  
 CAN ALSO BE USED WITH GEN2 Y LOOM MX 589800  
 FOR USE ON A BLACK BOX SYSTEM:  
 BLUE/BLACK CONVERTER 589842  
 (WIRE LOOM NOT REQUIRED IF USED WITH CONVERTER 589842)



NOTE: SUN COVER REMOVED



UNDERSIDE VIEW:  
 CUT-OUT DETAILS

# LEWMAR

Unauthorised use, manufacture or reproduction  
 in whole or in part is prohibited

Part Number : 589223

Saved as : 589223

SINGLE PAD THRUSTER CONTROL ASSY

Date : 17-Jan-17

Issue : K

Drawn by :

SDW