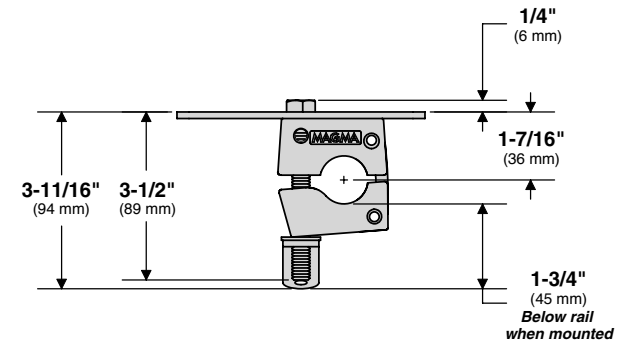
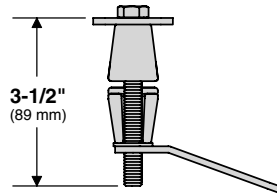
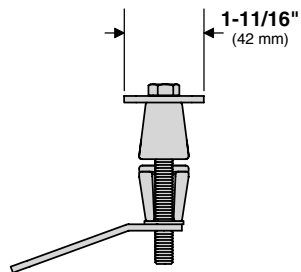
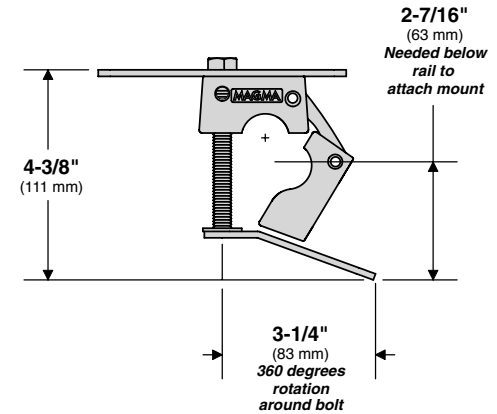
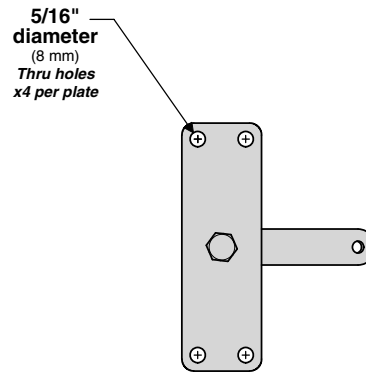
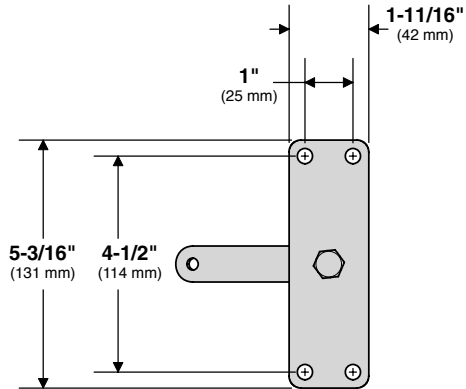
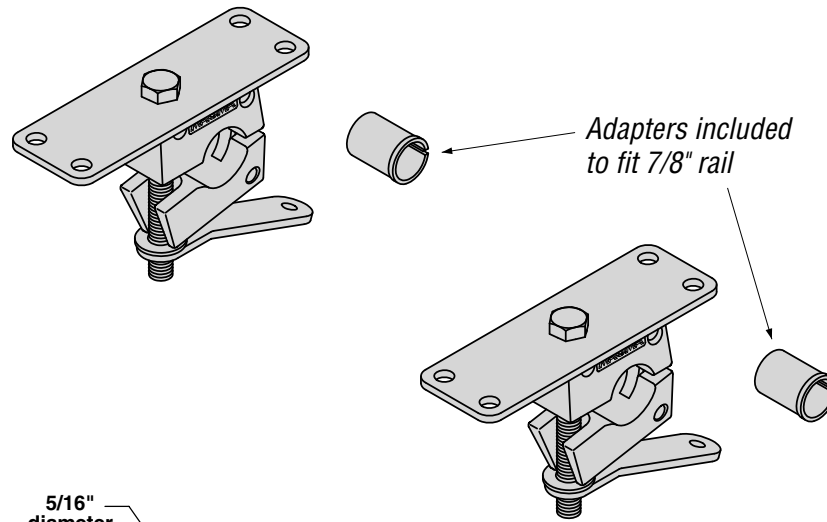


# T10-580 "Dual" Horizontal Round Rail Mount

Fits Standard Rails 7/8" or 1"  
(22mm or 25.5 mm)

Mount Weight 1.81 lb.  
(0.82 kg)



**MAGMA PRODUCTS, INC.**

3940 PIXIE AVE. • LAKEWOOD, CA 90712 • TEL (562) 627-0500 • FAX (562) 627-0550

www.MagmaProducts.com • email: Mail@MagmaProducts.com