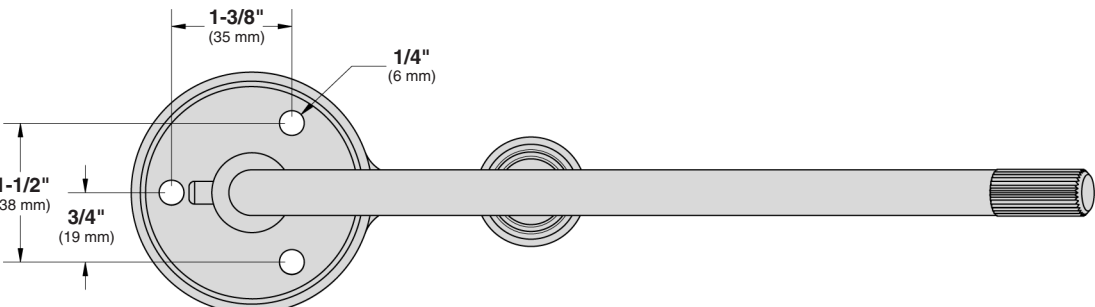
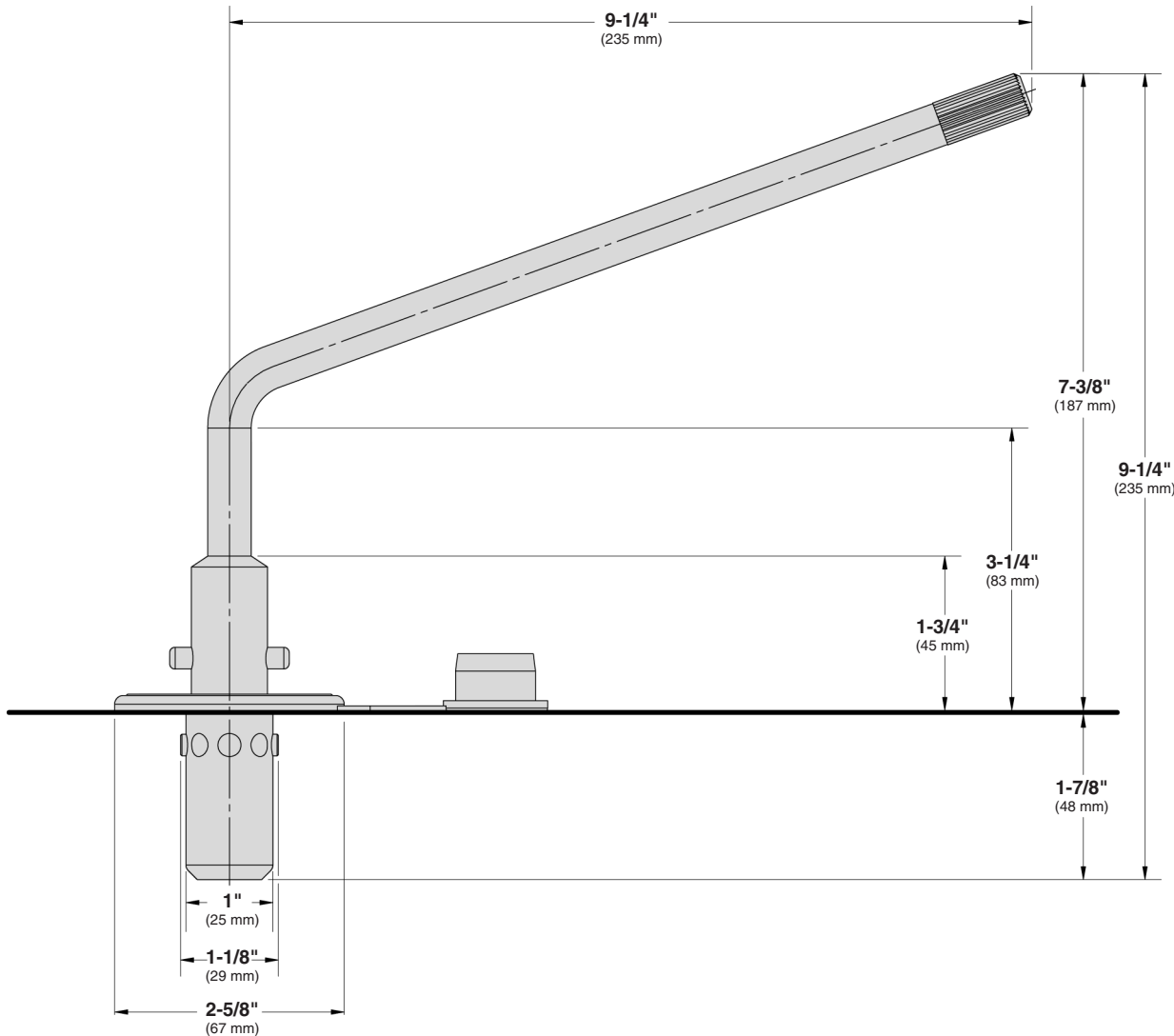


A10-126 Flush Deck Rotating Socket Mount

Mount Weight 1.19 lb.
(0.5 kg)



MAGMA PRODUCTS, INC.

3940 PIXIE AVE. ■ LAKEWOOD, CA 90712 ■ TEL (562) 627-0500 ■ FAX (562) 627-0550
www.MagmaProducts.com ■ email: Mail@MagmaProducts.com