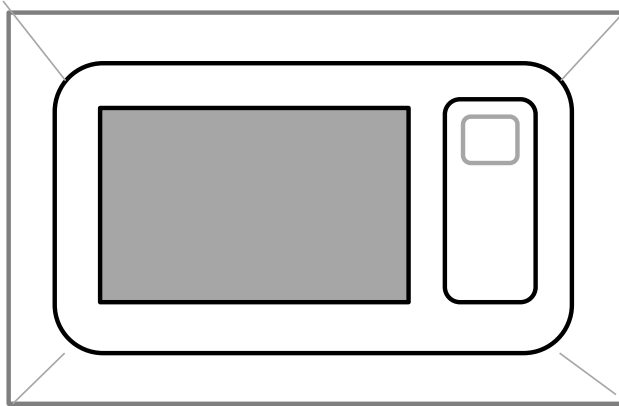


MUAVE[™]

CONVECTION GRILL

Instruction Manual



Model: MUCMKT120S

**1.0 Cu. Ft. Convection Microwave Oven and Grill
with Built-in Trim Kit**

For your safety and the ongoing enjoyment of this product always read these instructions carefully before using your microwave oven.

SAVE THESE INSTRUCTIONS

PRECAUTIONS TO AVOID POSSIBLE EXPOSURE TO EXCESSIVE MICROWAVE ENERGY

- (a) Do not attempt to operate this oven with the door open since open-door operation can result in harmful exposure to microwave energy.
It is important not to defeat or tamper with the safety interlocks.
- (b) Do not place any object between the oven front face and the door or allows soil or cleaner residue to accumulate on sealing surfaces.
- (c) Do not operate the oven if it is damaged. It is particularly important that the oven door close properly and that there is no damage to the:
 - (1) DOOR (bent)
 - (2) HINGES AND LATCHES (broken or loosened)
 - (3) DOOR SEALS AND SEALING SURFACES
- (d) The oven should not be adjusted or repaired by anyone except properly qualified service personnel.

Specifications

Model:	MUCMKT120S
Rated Voltage:	120v~60hz
Rated Input Power (microwave):	1500 watts
Rated Output Power (microwave):	1000 watts
Rated Input Power (Grill):	1150 watts
Rated Input Power (Convection):	1500 watts
Oven Capacity:	1.0 cubic feet (28 Liters)
Turntable Diameter:	12.4 inches (315mm)
External Dimensions:	20.4" w x 18.75" d x 12.8" h (Overall - 520mm x 464mm x 325.7 mm)
Net Weight	45 lbs. (20.16 kg)
Warning:	Handling the cord on this unit or cords associated with accessories sold wit this product will expose you to a chemical known to the state of California to cause cancer and birth defects or other reproductive harm. WASH HANDS AFTER HANDLING.

IMPORTANT SAFETY INSTRUCTIONS

When using electrical appliances basic safety precautions should be followed, including the following:

WARNING - To reduce the risk of burns, electric shock, fire, injury to persons or exposure to excessive microwave energy:

1. Read all instructions before using the appliance.
2. Read and follow the specific: "PRECAUTIONS TO AVOID POSSIBLE EXPOSURE TO EXCESSIVE MICROWAVE ENERGY" found on page 2.
3. This appliance must be grounded. Connect only to properly grounded outlet. See "GROUNDING INSTRUCTIONS" found on page 5.
4. Install or locate this appliance only in accordance with the provided installation instructions.
5. Some products such as whole eggs and sealed containers - for example, closed glass jars - are able to explode and should not be heated in this oven.
6. Use this appliance only for its intended use as described in the manual. Do not use corrosive chemicals or vapors in this appliance. This type of oven is specifically designed to heat, cook or dry food. It is not designed for industrial or laboratory use.
7. As with any appliance, close supervision is necessary when used by children.
8. Do not operate this appliance if it has a damaged cord or plug, if it is not working properly, or if it has been damaged or dropped.
9. This appliance should be serviced only by qualified service personnel. Contact nearest authorized service facility for examination, repair, or adjustment.
10. Do not cover or block any openings on the appliance.
11. Do not store this appliance outdoors. Do not use this product near water - for example, near a kitchen sink, in a wet basement, near a swimming pool, or similar location.
12. Do not immerse cord or plug in water.
13. Keep cord away from heated surface.
14. Do not let cord hang over edge of table or counter.
15. When cleaning surfaces of door and oven that comes together on closing the door, use only mild, nonabrasive soaps, or detergent applied with a sponge or soft cloth.
16. To reduce the risk of fire in the oven cavity:
 - 1). Do not overcook food. Carefully attend appliance when paper, plastic, or other combustible materials are placed inside the oven to facilitate cooking.
 - 2). Remove wire twist-ties from paper or plastic bag before placing bag in oven.
 - 3). If material inside of the oven ignite, keep oven door closed, turn oven off, and disconnect the power cord, or shut off power at the fuse or circuit breaker panel.
 - 4). Do not use the cavity for storage purposes. Do not leave paper products, cooking utensils, or food in the cavity when not in use.
17. Liquids, such as water, coffee, or tea are able to be overheated beyond the boiling point without appearing to be boiling. Visible bubbling or boiling when the container is removed from the microwave oven is not always present.

THIS COULD RESULT IN VERY HOT LIQUID SUDDENLY BOILING OVER WHEN THE CONTAINER IS DISTURBED OR A UTENSIL IS INSERTED INTO THE LIQUID.

To reduce the risk of injury to persons:

- 1) Do not overheat the liquid.
 - 2) Stir the liquid both before and halfway through heating it.
 - 3) Do not use straight-sided containers with narrow necks.
 - 4) After heating, allow the container to stand in the microwave oven for a short time before removing the container.
 - 5) Use extreme care when inserting a spoon or other utensil into the container.
18. Oversized food or oversized metal utensils should not be inserted in a microwave/toaster oven as they may create a fire or risk of electric shock.
 19. Do not clean with metal scouring pads. Pieces can burn off the pad and touch electrical parts involving a risk of electric shock.
 20. Do not use paper products when appliance is operated in the toaster mode.
 21. Do not store any materials, other than manufacturer's recommended accessories, in this oven when not in use.
 22. Do not cover racks or any other part of the oven with metal foil. This will cause overheating of the oven.

SAVE THESE INSTRUCTIONS

GROUNDING INSTRUCTIONS

This appliance must be grounded. In the event of an electrical short circuit, grounding reduces the risk of electric shock by providing an escape wire for the electric current. This appliance is equipped with a cord having a grounding wire with a grounding plug. The plug must be plugged into an outlet that is properly installed and grounded.

WARNING - Improper use of the grounding can result in a risk of electric shock.

Consult a qualified electrician or serviceman if the grounding instructions are not completely understood, or if doubt exists as to whether the appliance is properly grounded. If it is necessary to use an extension cord, use only a 3-wire extension cord that has a 3-blade grounded plug, and 3-slot receptacle that will accept the plug on the appliance. The marked rating of the extension cord shall be equal to or greater than the electrical rating of the appliance.

DANGER - Electric Shock Hazard

Touching some of the internal components can cause serious personal injury or death. Do not disassemble this appliance.

WARNING - Electric Shock Hazard

Improper use of the grounding can result in electric shock. Do not plug into an outlet until appliance is properly installed and grounded.

1. A short power-supply cord is provided to reduce the risks resulting from becoming entangled in or tripping over a longer cord.
2. Longer cord sets or extension cords are available and may be used if care is exercised in their use.
3. If a long cord or extension cord is used:
 - 1) The marked electrical rating of the cord set or extension cord should be at least as great as the electrical rating of the appliance.
 - 2) The extension cord must be a grounding-type 3-wire cord.
 - 3) The longer cord should be arranged so that it will not drape over the counter top or tabletop where it can be pulled on by children or tripped over unintentionally.

RADIO INTERFERENCE

1. Operation of the microwave oven may cause interference to your radio, TV or similar equipment.
2. When there is interference, it may be reduced or eliminated by taking the following measures:
 - 1) Clean door and sealing surface of the oven
 - 2) Reorient the receiving antenna of radio or television.
 - 3) Relocate the microwave oven with respect to the receiver.
 - 4) Move the microwave oven away from the receiver.
 - 5) Plug the microwave oven into a different outlet so that microwave oven and receiver are on different branch circuits.

SAFETY

1. The oven must be on a leveled surface.
2. The turntable and turntable roller rest must be in the oven during cooking. Place the cookware gently on the turntable and handle it carefully to avoid possible breakage.
3. Incorrect use of browning dish may cause the turntable to break.
4. Use only the specified bag size when using Direct Access Popcorn.
5. The oven has several built-in safety switches to ensure that the power remains off when the door is open. Do not tamper with these switches.
6. Do not operate the microwave oven empty. Operating the oven with no food or food that is extremely low in moisture can cause fire, charring or sparking.
7. Do not cook bacon directly on the turntable. Excessive local heating of the turntable may cause the turntable to break.

8. Do not heat baby bottles or baby food in the microwave oven. Uneven heating may occur and could cause physical injury.
9. Do not heat narrow-necked containers, such as syrup bottles.
10. Do not attempt to deep-fry in your microwave oven.
11. Do not attempt home canning in this microwave oven, as it is impossible to be sure all contents of the jar have reached boiling temperature.
12. Do not use this microwave oven for commercial purpose. This microwave oven is made for household use only.
13. To prevent delayed eruptive boiling of hot liquids and beverages or scalding yourself, stir liquid before placing the container in the oven and again halfway through cooking time. Let stand in the oven for a short time and stir again before removing the container.
14. Use carefully when cooking food in the microwave oven to avoid burning due to excessive cooking.
15. When the appliance is operated in the combination mode, children should only use the oven under adult supervision due to the temperatures generated.
16. Failure to maintain the oven in a clean condition could lead to deterioration that could adversely affect the life of the appliance and possibly result in a hazardous situation.

UTENSILS

CAUTION - Personal Injury Hazard

Tightly-closed utensils could explode. Closed containers should be opened and plastic pouches should be pierced before cooking.

See the instructions on "Materials you can use in microwave oven or to be avoided in microwave oven."

There may be certain non-metallic utensils that are not safe to use for microwaving. If in doubt, you can test the utensil in question following the procedure below.

Utensil Test:

1. Fill a microwave-safe container with 1 cup of cold water (250ml) along with the utensil in question.
2. Cook on maximum power for 1 minute.
3. Carefully feel the utensil. If the empty utensil is warm, do not use it for microwave cooking.
4. Do not exceed 1 minute cooking time.

Materials you can use in microwave oven

Utensils	Remarks
Aluminum foil	Shielding only. Small smooth pieces can be used to cover thin parts of meat or poultry to prevent overcooking. Arcing can occur if foil is too close to oven walls. The foil should be at least 1 inch (2.5cm) away from oven walls.
Browning dish	Follow manufacturer* instructions. The bottom of browning dish must be at least 3/16 inch (5mm) above the turntable. Incorrect usage may cause the turntable to break.
Dinnerware	Microwave-safe only. Follow manufacturer's instructions. Do not use cracked or chipped dishes.
Glass jars	Always remove lid. Use only to heat food until just warm. Most glass jars are not heat resistant and may break.
Glassware	Heat-resistant oven glassware only. Make sure there is no metallic trim. Do not use cracked or chipped dishes.
Oven cooking bags	Follow manufacturer* instructions. Do not close with metal tie. Make slits to allow steam to escape.
Paper plates and cups	Use for short*erm cooking/warming only. Do not leave oven unattended while cooking.
Paper towels	Use to cover food for reheating and absorbing fat. Use with supervision for a short-term cooking only.
Parchment paper	Use as a cover to prevent splattering or a wrap for steaming.
Plastic	Microwave-safe only. Follow the manufacturer* instructions. Should be labeled "Microwave Safe". Some plastic containers soften, as the food inside gets hot. "Boiling bags" and tightly closed plastic bags should be slit, pierced or vented as directed by package.
Plastic wrap	Microwave-safe only. Use to cover food during cooking to retain moisture. Do not allow plastic wrap to touch food.
Thermometers	Microwave-safe only (meat and candy thermometers).
Wax paper	Use as a cover to prevent splattering and retain moisture.

Materials to be avoided in microwave oven

Utensils	Remarks
Aluminum tray	May cause arcing. Transfer food into microwave-safe dish.
Food carton with metal handle	May cause arcing. Transfer food into microwave-safe dish.
Metal or metal-trimmed utensils	Metal shields the food from microwave energy. Metal trim may cause arcing.
Metal twist ties	May cause arcing and could cause a fire in the oven.
Paper bags	May cause a fire in the oven.
Plastic foam	Plastic foam may melt or contaminate the liquid inside when exposed to high temperature.
Wood	Wood will dry out when used in the microwave oven and may split or crack.

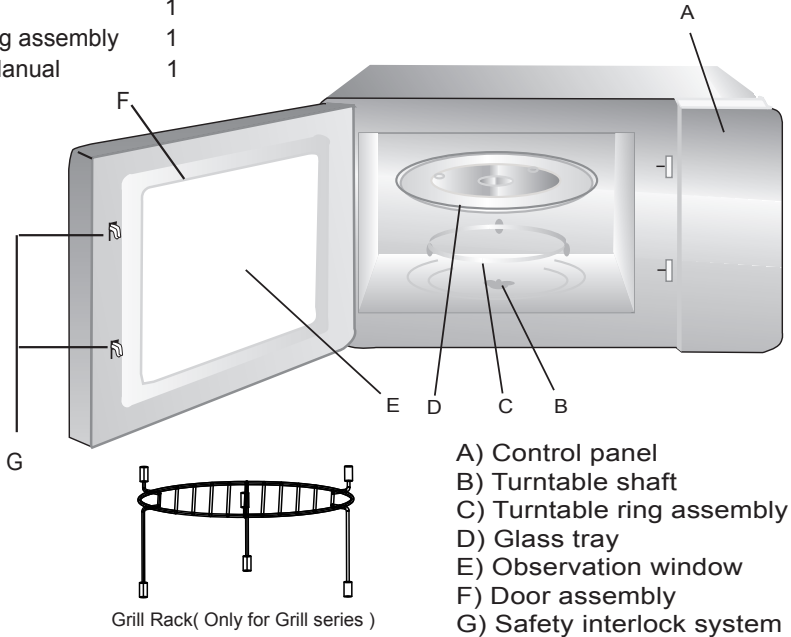
SETTING UP YOUR OVEN

Names of Oven Parts and Accessories

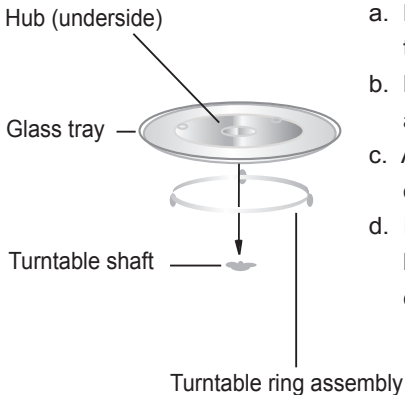
Remove the oven and all materials from the carton and oven cavity.

Your oven comes with the following accessories:

Glass tray	1
Turntable ring assembly	1
Instruction Manual	1



Turntable Installation



- Never place the glass tray upside down. The glass tray should never be restricted.
- Both glass tray and turntable ring assembly must always be used during cooking.
- All food and containers of food are always placed on the glass tray for cooking.
- If glass tray or turntable ring assembly cracks or breaks, contact your nearest authorized service center.

Built-in Model

This model is provided with duct work and trim pieces which are cUL listed to be installed as a built-in unit. (Separate instructions are provided for this feature). If you use this product without the provided built-in assembly the following countertop application applies.

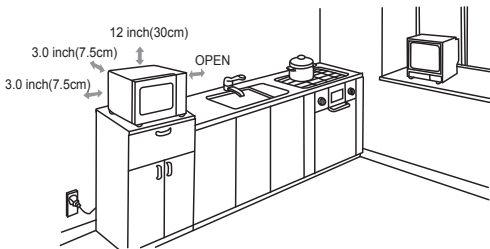
Countertop Installation

Remove all packing material and accessories. Examine the oven for any damage such as dents or broken door. Do not install if oven is damaged.

Cabinet: Remove any protective film found on the microwave oven cabinet surface. Do not remove the light brown Mica cover that is attached to the oven cavity to protect the magnetron.

Installation

1. Select a level surface that provide enough open space for the intake and/or outlet vents.



A minimum clearance of 3.0 inches (7.5cm) is required between the oven and any adjacent walls. One side must be open.

- (1) Leave a minimum clearance of 12 inches (30cm) above the oven.
- (2) Do not remove the legs from the bottom of the oven.

- (3) Blocking the intake and/or outlet openings can damage the oven.
 - (4) Place the oven as far away from radios and TV as possible. Operation of microwave oven may cause interference to your radio or TV reception.
2. Plug your oven into a standard household outlet. Be sure the voltage and the frequency is the same as the voltage and the frequency on the rating label.

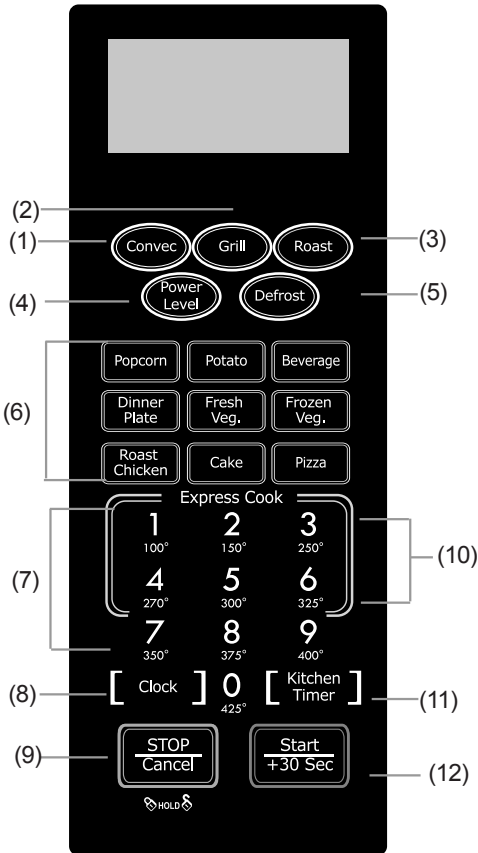
WARNING: Do not install oven over a range cooktop or other heat-producing appliance. If installed near or over a heat source, the oven could be damaged and the warranty would be void.

The accessible surface may be hot during operation.



OPERATION

Control Panel and Features



- (1) Convection
- (2) Grill
- (3) Roast
- (4) Power Level
- (5) Defrost
- (6) Auto Menu:
Popcorn/Potato/Beverage/
Dinner Plate/Fresh Vegetable/
Frozen Vegetable
- Convection Menu:
Roast Chicken/Cake/Pizza
- (7) Number keys/
Convection Temperature keys
- (8) Clock setting
- (9) Stop/Clear
- (10) Express Cook
- (11) Kitchen Timer
- (12) Start/+30Sec.

OPERATION INSTRUCTION

1. Clock Setting

When the microwave oven is electrified, the oven will display "0:00", and buzzer will ring once.

The input time should be within 1:00-12:59.

Example: To set 12:12 .

- (1) Press the " Clock " button, and the buzzer will ring once.
- (2) Press the number keys: "1","2","1","2" in order.
- (3) Press " Clock " to finish clock setting. ":" will flash, and the time will light.

Note: 1) If the clock is not set, "0:00" is displayed and the clock will not count.

- 2) During the process of clock setting, if you press "Stop/Clear ", the oven will go back to the previous status automatically.

2. Kitchen Timer

- (1) Press " Kitchen Timer " , "0:00" is displayed.
- (2) Press the number keys to set the timing within the range of 99 minutes and 99 seconds.

For example:

set kitchen timer as 12 minutes and 12 seconds, please press " 1,2,1,2" in turn.

- (3) Press " Start/+30SEC. " to confirm; time will count down and display.
- (4) When time counts to "0", the buzzer will sound 5 times and the oven will turn back to the normal state.

Note: (1) Kitchen timer is a timer as an alarm clock.

- (2) In the timing state, the oven will not start with any program and the oven light will not light.

3. Microwave Cooking

Select different microwave power level and set cooking time as you wish. There are 10 power levels available for choosing. Keep on pressing "Power " to choose the power.

Level	10	9	8	7	6	5	4	3	2	1
Power	100%	90%	80%	70%	60%	50%	40%	30%	20%	10%
Display	PL10	PL9	PL8	PL7	PL6	PL5	PL4	PL3	PL2	PL1

Example: If you want to use 80% microwave power to cook for 10 minutes, you can operate the oven as the following steps.

- 1) Press "Power Level" once, the oven will display "PL10".
- 2) Press "Power Level" twice again to choose 80% power, the oven will display "PL8".
- 3) Press the number buttons of "1","0","0","0" in order, the oven will display "10:00"
- 4) Press " Start/+30SEC. " to start cooking, ":" will light and the "Micro." indicator will flash.

4. Grill/ Micro.+Grill Combination Cooking

- (1) Press the "Grill " button once to choose the grill function, the oven will display "G-1" and " Grill " indicator will light.(Press twice or thrice to choose the combination function with "G-2" or "G-3" displaying)

(2) Set the cooking time.

Example: Set 12 minutes 50 seconds, press "1", "2", "5", "0" in order.

(3) Press " Start/+30SEC. " to start cooking. The cooking time counts down, ":" will light and " Grill " indicator will flash.

Note: If half the grill time passes, the oven sounds twice, and this is normal. It denotes turning food over in order to have a better effect of grilling food, and you should turn the food over, close the door, and then press" Start/+30SEC. " to continue cooking.

Note: " Grill " Pad presses instructions

Presses Instructions	Display	Microwave	Grill
1	G-1		100%
2	G-2	36%	64%
3	G-3	55%	45%

5. Convection Cooking

The convection cooking can let you to cook the food as a traditional oven. Microwave is not used. It is recommended that you should preheat the oven to the appropriate temperature before placing the food in the oven.

There are ten temperatures of convection: 100F,150F,250F,275F,300F,325F,350F, 375F,400F,425F.

A. With preheating convection

- 1) Press the "CONVEC." once, the oven will display "100". "F" and " Conv."indicator will light. (Press the convection temperature key to select the temperature you need.)
- 2) Press " Start/+30SEC. " button to start preheating.
The temperature figure will flash when the oven reach the temperature setted, and buzzer will ring twice to remind you to put food into the oven, then close the door.
- 3) Press the number keys to set cooking time.
- 4) Press the "Start/+30SEC. " button to start cooking.
" Conv." indicator will flash, ":" will light, and cooking time will count down.

Note: a. Cooking time cannot be input until the preheating temperature arrives.

If the temperature arrives, door must be opened to input the cooking time.

b. If the time not input in 5 minutes, the oven will stop preheating. The buzzer sound five times and turn back to waiting states.

B. Convection Cooking(Without preheating function)

- 1) Press the "Convec " once, the oven will display "100". "F" and " Conv."indicator will light. (Press the convection temperature key to select the temperature you need.)
- 2) Press the "Convec " button to confirm the temperature.
- 3) Press the number keys to set cooking time.
- 4) Press the "Start/+30SEC. " button to start cooking.
" Conv." indicator will flash, ":" will light, and cooking time will count down.

6. Convection Roast Cooking

- 1) Press " Roast " once, the oven will display "325F", and the "Micro.", "Conv." indicator will light.(Press the convection temperature key to select the temperature you need.)
- 2) Press " Roast " button to confirm the temperature.
- 3) Press the number keys to set cooking time.
- 4) Press " Start/+30SEC. " button to start cooking, ":" will light, and cooking time will count down.

7. Defrost By Weight

- 1) Press "Defrost " once, the oven will display "dEF1"."Micr." , "Defrost" indicators will light.
- 2) Press the number keys to set defrosting weight within the range of 4 to 100 oz, and "Oz" will light.
- 3) Press " Start/+30SEC. " button to start defrosting, and "Oz" will disappear.

8. Defrost By Time

- 1) Press "Defrost " twice, the oven will display "dEF2"."Micr." , "Defrost" indicators will light.
- 2) Press the number keys to set defrosting time. The max.time is 99 minutes 99 seconds.
- 3) Press " Start/+30SEC. " button to start defrosting.

9.Multi-Stage Cooking

Two stages of cooking can be maximumly set. If one of the stages is defrosting, then it should be put in the first stage. The buzzer will ring once after each stage cooking and the next stage will begin.

Note: Auto menu cooking and pre-heating cannot be set as one of the multi-stage.

Example: cooking with 100% microwave power for 5 minutes and then 70% microwave power for 10 minutes. The steps are as the following:

- 1) Press "Power Level" once, "PL10" is displayed;
- 2) Press number keys "5", "0", "0" to adjust the cooking time as you need;
- 3) Press "Power Level" four times to choose 70% microwave power, "PL7" is displayed;
- 4) Press number keys "1", "0", "0", "0" to adjust the cooking time as you need.
- 5) Press "Start/ +30 SEC. " to start cooking.

10. Express Cooking

- (1) In waiting state, instant cooking at 100% power level can be started by selecting cooking time from 1 to 6 minutes by pressing numeral pads 1 to 6. Press " Start/ +30 SEC. " to increase the cooking time 30 seconds by each added pressing; the maximum cooking time is 99 minutes and 99 seconds.
- (2) In waiting state, instant cooking at 100% power level with 30 seconds' cooking time can be started by pressing " Start/ +30 SEC. ". Each press on the same button will increase cooking time by 30 seconds. the maximum cooking time is 99 minutes and 99 seconds.


Note: In microwave, grill, convection or combination cooking state, 30 seconds' cooking time can be added by each pressing of "Start/ +30 SEC. " button, and it's invalid at the function of weight defrost, multi-stage or auto menu cooking.


11. Auto Menu Cooking

- 1) In waiting state, press the button of "Popcorn ", "Potato ", "Beverage ", "Dinner Plate ", "Fresh Vegetable ", "Frozen Vegetable ", "Roast Chicken ", "Cake " or "Pizza" to choose the function and weight of food as you need.
- 2) Press "Start / +30 SEC. " to start cooking.

Note: Refers to the next page for auto menu chart.

12. Lock-out Function for Children

Lock: In waiting state, press "STOP/CLEAR" for 3 seconds, there will be a long "beep" denoting entering into the children-lock state and "  " indicator will light. LED will display current time or 0:00.

Lock quitting: In locked state, press "STOP/CLEAR" for 3 seconds, there will be a long "beep" denoting that the lock is released, and "  " indicator will disappear.

13. State Inquiry

- 1). During cooking, press "Convec ", "Power Level", "Grill " to check the responding power, and the power will be displayed for 3 seconds;
- 2) During cooking, press "Clock " to check the current time, and the time will be displayed for 3 seconds.

Pay Special Attention:

When cooking with "Microwave", "Convection", "Grill" , " Roast" or "Time Defrost" function, the maximum cooking time is 99 minutes and 99 seconds.

Auto menu Chart

Menu	Weight (Oz)	Display
Popcorn	1.75 OZ	1.75 OZ
	3.00 OZ	3.00 OZ
	3.50 OZ	3.50 OZ
Potato	1 portion(about 8.0 OZ)	1
	2 portions(about 16.0 OZ)	2
	3 portions(about 24.0 OZ)	3
Beverage	1 cup(about 8.80 OZ)	1
	2 cups(about 17.60 OZ)	2
	3 cups(about 26.40 OZ)	3
Dinner Plate	8.00 OZ	8.00 OZ
	12.00 OZ	12.00 OZ
	16.00 OZ	16.00 OZ
Fresh Vegetable	4.00 OZ	4.00 OZ
	8.00 OZ	8.00 OZ
	16.00 OZ	16.00 OZ
Frozen Vegetable	4.00 OZ	4.00 OZ
	8.00 OZ	8.00 OZ
	16.00 OZ	16.00 OZ
Roast Chicken	16.00 OZ	16.00 OZ
	24.00 OZ	24.00 OZ
	32.00 OZ	32.00 OZ
	40.00 OZ	40.00 OZ
	48.00 OZ	48.00 OZ
Cake	16.00 OZ	16.00 OZ
Pizza	10.00 OZ	10.00 OZ
	22.00 OZ	22.00 OZ

Note: 1) Cake menu is under convection cooking with 325F-preheat function, and you should preheat first following the auto menu operation, when the oven reaches the temperature, it will stop working and sound to remind opening the door to put cake in, then press "Start / +30 SEC. " to start cooking.

2) You should use the grill rack when roasting chicken in order to have a better effect of cooking.

MAINTENANCE

Troubleshooting

Check your problem by using the chart below and try the solutions for each problem. If the microwave oven still does not work properly, contact the nearest authorized service center.

TROUBLE	POSSIBLE CAUSE	POSSIBLE REMEDY
Oven will not start	<ul style="list-style-type: none"> a. Electrical cord for oven is not plugged in. b. Door is open. c. Wrong operation is set. 	<ul style="list-style-type: none"> a. Plug into the outlet. b. Close the door and try again. c. Check instructions.
Arcing or sparking	<ul style="list-style-type: none"> a. Materials to be avoided in microwave oven were used. b. The oven is operated when empty. c. Spilled food remains in the cavity. 	<ul style="list-style-type: none"> a. Use microwave-safe cookware only. b. Do not operate with oven empty. c. Clean cavity with wet towel.
Unevenly cooked foods	<ul style="list-style-type: none"> a. Materials to be avoided in microwave oven were used. b. Food is not defrosted completely. c. Cooking time, power level is not suitable. d. Food is not turned or stirred. 	<ul style="list-style-type: none"> a. Use microwave-safe cookware only. b. Completely defrost food. c. Use correct cooking time, power level. d. Turn or stir food.
Overcooked foods	<ul style="list-style-type: none"> Cooking time, power level is not suitable. 	<ul style="list-style-type: none"> Use correct cooking time, power level.
Undercooked foods	<ul style="list-style-type: none"> a. Materials to be avoided in microwave oven were used. b. Food is not defrosted completely. c. Oven ventilation ports are restricted. d. Cooking time, power level is not suitable. 	<ul style="list-style-type: none"> a. Use microwave-safe cookware only. b. Completely defrost food. c. Check to see that oven ventilation ports are not restricted. d. Use correct cooking time, power level.
Improper defrosting	<ul style="list-style-type: none"> a. Materials to be avoided in microwave oven were used. b. Cooking time, power level is not suitable. c. Food is not turned or stirred. 	<ul style="list-style-type: none"> a. Use microwave-safe cookware only. b. Use correct cooking time, power level. c. Turn or stir food.

LIMITED WARRANTY

THE SELLER NAMED BELOW MAKES THE FOLLOWING WARRANTY WITH RESPECT TO THIS APPLIANCE OR PRODUCT.

This Warranty is made only to the first retail purchaser (hereinafter called the "Original Purchaser") who obtains this product for personal use. It is made with the approval and cooperation of the manufacturer.

This Warranty will be in effect for one year from the date of purchase by the Original Purchaser. It is suggested that the Original Purchaser retain proof of direct purchase or a copy of the vehicle or vessel bill of sale as evidence of purchase.

This Warranty specifies that this appliance shall be free from defect in material and workmanship under normal use. This warranty does not apply to any appearance item nor to any product damaged or defaced, nor to any product subject to misuse, abnormal service, improper installation or handling, operation contrary to or not in accordance with the specific operating instructions, nor to any items used in conjunction with or attached to this product.

This Warranty entitles the Original Purchaser to have the defective product repaired or replaced, at seller's discretion, at no cost with respect to parts.

In order to obtain the benefits of this Warranty, the seller named below should be notified as soon as defect is observed while Warranty is in effect. The Original Purchaser will be given coded authorization to return the product to the seller. All charges incurred in shipment of the product between the Original Purchaser and the seller shall be the responsibility of the Original Purchaser.

THIS SHALL BE THE EXCLUSIVE WRITTEN WARRANTY OF THE ORIGINAL PURCHASER AND NEITHER THIS WARRANTY NOR ANY OTHER WARRANTY, EXPRESSED OR IMPLIED, SHALL EXTEND BEYOND THE PERIOD OF TIME INDICATED ABOVE. IN NO EVENT SHALL THE MANUFACTURER, THE SELLER, THE SERVICE AGENT, THEIR ASSOCIATES, DEALERS, DISTRIBUTORS, OR AFFILIATES BE LIABLE FOR CONSEQUENTIAL ECONOMIC DAMAGE OR CONSEQUENTIAL DAMAGE OF PROPERTY. SOME STATES DO NOT ALLOW THE ABOVE LIMITATION; THEREFORE THE EXCLUSION MAY NOT APPLY TO YOU. IN ADDITION, THIS WARRANTY GIVES SPECIFIC LEGAL RIGHTS, AND YOU MAY HAVE OTHER RIGHTS, WHICH VARY FROM STATE TO STATE.

Warranty Provided By:

Muave Appliances
8223 Blaikie Ct. Sarasota, FL 34240

www.MuaveAppliances.com