

# Products Data Sheet

**Twistloc<sup>®</sup>**

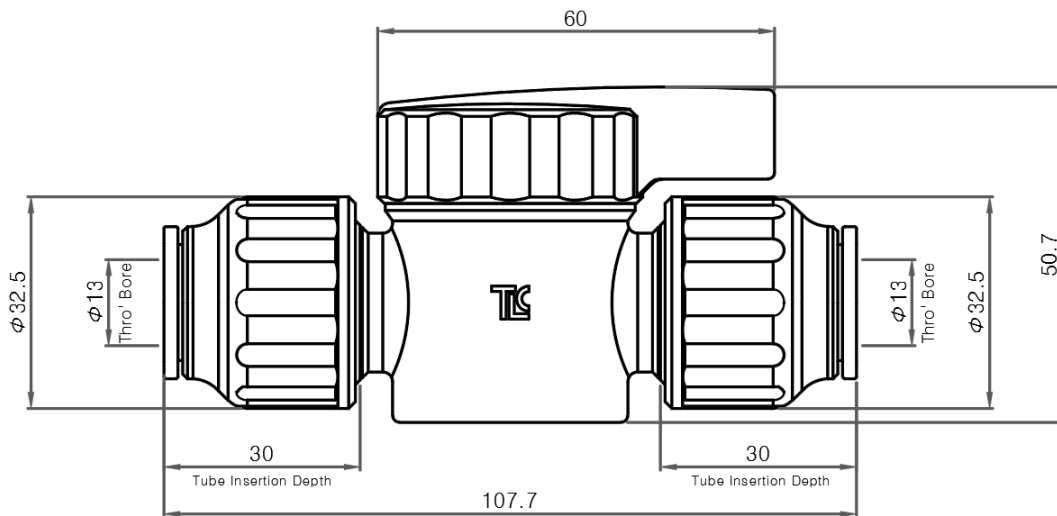
## Hand Valve Union 15mm X 15mm Polysulfone

- All white plastic system
- Twist and Lock push fittings
- Visible Connection
- Strong Gripping Strength
- Permanent anti-leak system
- No tools required
- Combustion resistance

- Labour savings of 40%
- Working Press@ Temp  
17 Bar @ 23°C  
10 Bar @ 65°C  
6 Bar @ 95°C  
3 Bar @ 105°C



Part No.  
**THUC1515M**  
15mmX15mm



-Compliance with the following standards

- IAPMO IGC 157-2013
- NSF/ANSI- 14,61&372-2015
- ASSE1061-2011
- IGC 188-2009

cUP

**NSF**  
ANSI-14  
ANSI-61  
ANSI-372

ICC  
ES  
c PMG

**ASSE**  
**1061**

### Material Specifications

No.	Desc.	Materials	No.	Desc.	Materials
1	Body	Polysulfone, White	7	Side Ring	EPDM, Black
2	Cap	Nylon, White	8	Body Ring	Acetal, Green
3	Collet	Celcon, White	9	Main Shaft	Polysulfone, White
4	O-Ring	EPDM, Black	10	Handle	Acetal, Blue
5	Square Ring	EPDM, Black	11	Upper Ring	Polysulfone, White
6	Insert Ring	Acetal, Green			

©2017 FLUIDCONNECTIONS