

Adapter View

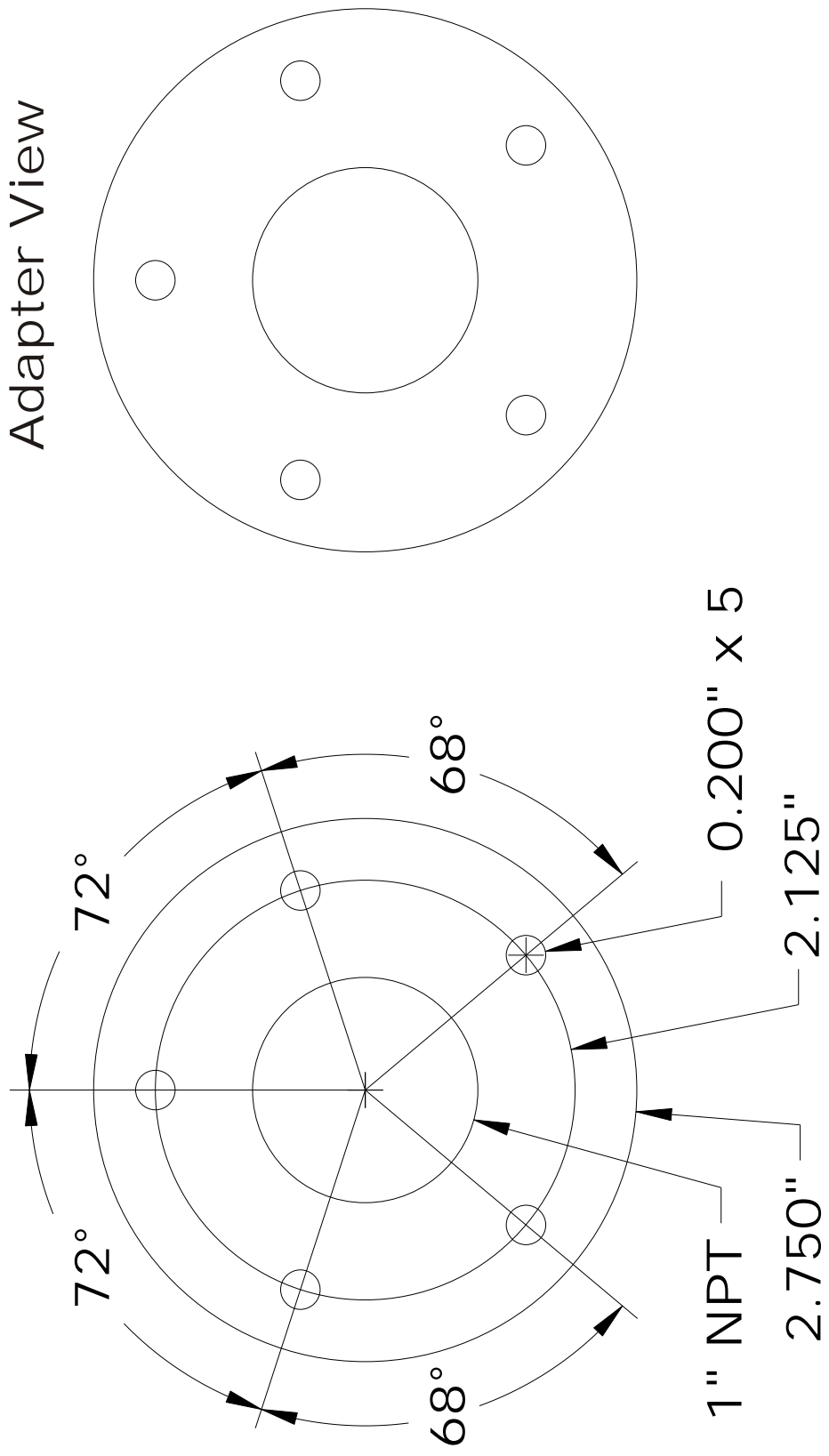


Figure 1: Mech. DWG of SAE-5 to 1" NPT Adapter.

# SAE-5 to 1" NPT Adapter