

a xylem brand

## AMAZON HAND DIAPHRAGM PUMPS

### FEATURES

- **29240-0000** Bulkhead pump, with detachable handle
- **29250-0000** Thrudeck pump, with detachable handle and through deck kit
- **29270-0000** Universal pump, with detachable handle, and one push-fit elbow
- **29280-0000** Warrior pump, with detachable handle

### ACCESSORIES

- **29279-0000** Through deck kit (for Universal and Warrior only)
- **29289-0000** Under deck bracket (required for Warrior when used with through deck kit)
- **29266-1000** Additional push-fit elbow (for Universal only)
- **29290-0020** Bilge strainer for 3/4 inch (19mm) ID hose
- **29290-0000** Bilge strainer for 1 inch (25mm) ID hose (not shown)
- **29290-0010** Bilge strainer for 1-1/2 inch (38mm) ID hose
- **29295-0011** In line non-return valve for 3/4 inch (19mm) ID hose (not shown)
- **29295-0000** In-line non-return valve for 1 inch (25mm) ID hose
- **29295-0010** In-line non-return valve for 1-1/2 inch (38mm) ID hose

### APPLICATIONS

The Amazon range of pumps is primarily designed to evacuate standing bilge water.

NOTE: Amazon pumps are not intended to keep pace with water flowing in through a hole in the vessel's structure. Actual performance varies according to the individual installation and the pumping rate of the user.

The Amazon Universal and Warrior models are also suitable for discharging toilet waste from holding tanks.

NOTE: Amazon pumps are designed specifically for use as bilge pumps and toilet waste disposal pumps. Consult Jabsco for advice about all other possible applications. Do not use Amazon pumps to transfer gasoline, petroleum products, acids, chemicals or



**Bulkhead**



**Thrudeck**



**Universal**



**Warrior**

**Models 29240-0000, 29250-0000, 29270-0000, 29280-0000**

**29266-1000**



**29279-0000**



**29289-0000**



**29290-0010**



**29290-0020**



**29295-0010**



**29295-0011**

## **INSTALLATION INSTRUCTIONS**

### **INTRODUCTION**

An Amazon pump will become an integral part of your bilge pumping system. Correct installation of the whole system is essential if you want the pump to perform properly, operate reliably and safely, and to give satisfactory length of life.

### **LOCATION**

Your pump is delivered ready for installation, but all Amazon pumps can be adapted by the installer to suit different types of location.

- Select a location that allows you to pump comfortably for long periods of time, preferably with the handle rocking vertically towards and away from you at waist height.
- Ensure that there is sufficient clearance for you to use the full stroke of the handle without injury to your hands or arms.
- You must be able to get easy access to the pump chamber and both inlet and outlet valves in the event of a blockage occurring.
- For safety, locate the pump – whether above or below decks – where you can operate it with all hatches and lockers fully closed.

### **MOUNTING**

For all models except the Thrudeck, you will need the appropriate number, type, diameter and length of bolts, complete with nuts and washers, all in marine grade stainless steel or bronze, and a small tube of silicone sealant to seal the bolts where they pass through the deck.

- The mounting surface must be flat and sufficiently strong that it does not flex when you are pumping hard.

### **THROUGH HULL FITTING**

If you are installing the pump as a bilge pump, you will need either an 1 inch (25mm) ID or 1-1/2 inch (38mm) ID through hull fitting, according to the particular model of pump.

- Follow the through hull fitting manufacturer's own instructions concerning materials and methods of installation.
- Ensure that the through hull fitting will be above the waterline at all times, whether the craft is at rest or underway, or heeling, rolling or pitching.

### **SUCTION INLET**

The suction inlet must be located in the deepest part of the bilges.

- To minimize the risk of a blockage, you should fit an Amazon strainer.
- You must be able to get easy access to the suction inlet point in the event of a blockage occurring.
- To maximize the efficiency of the pump, you should have a non-return valve close to the suction inlet. This prevents the water that you have just lifted up the hose

from falling back into the bilge. (Amazon Bilge Strainers incorporate a non-return valve). If, for any reason, you do not wish to fit a strainer, you should fit an Amazon in-line, non-return valve as close to the suction inlet as possible.

### **PLUMBING**

You will need spiral reinforced smooth bore flexible hose for both inlet and outlet plumbing, and a stainless steel worm drive hose clamp for every port connection (4 or more).

- To maximize the efficiency of the pump, ensure that the outlet hose rises at least 12 inches (30cm) after it leaves the pump. This prevents the pump from sucking in air through the outlet hose.
- Avoid sharp bends in the plumbing that may cause the hose to become kinked.
- Keep all plumbing lengths as short as possible. Unnecessary inlet or outlet hose length just makes the pump harder to operate.
- Secure the plumbing so that the hoses cannot move and chafe, and so that they do not exert any leverage on the pump's port fittings to which they are connected.
- If it is difficult to fit the hose onto any pump ports, soften the hose by dipping the end of it in hot water.

**NOTICE:** Do NOT apply flame to the hoses. Do NOT apply flame or any heat to any plastic pump ports. Do NOT apply sealing compounds to any hose connections. Any of the preceding may damage hoses or pump ports.

- Secure the ends of all hoses to the ports with stainless steel worm drive hose clamps, ensuring that all inlet connections are airtight and that all outlet connections are watertight.

### **HANDLE**

Store the handle close to the pump in spring clips.

- Using the hole provided in the IXEF® handle, secure it with a lanyard to the mounting surface of the pump.

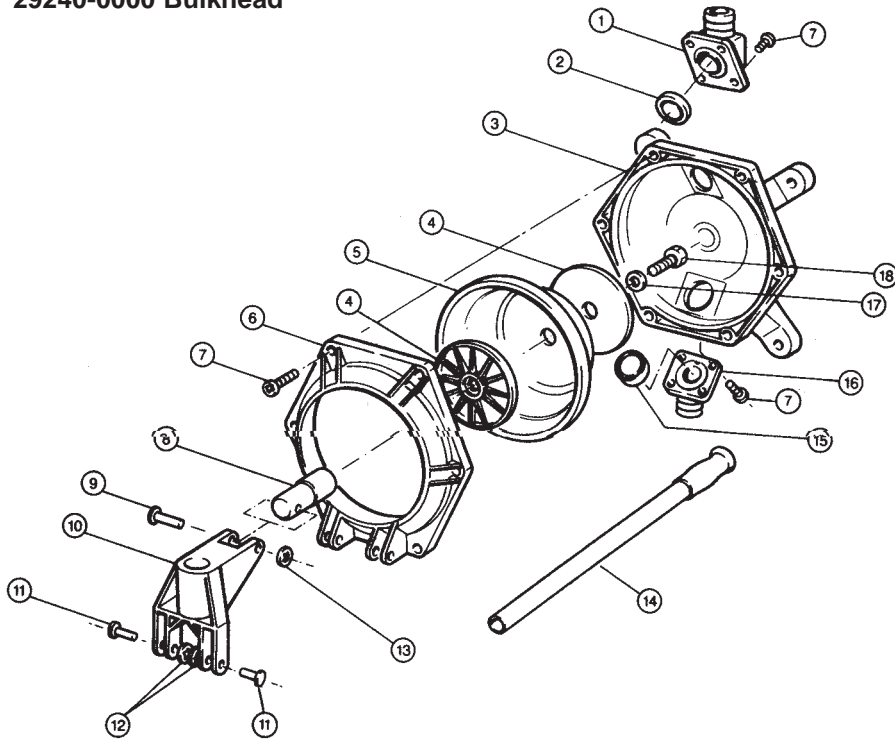
## **OPERATING INSTRUCTIONS**

Amazon pumps are simple to operate.

- If your pump is installed through the deck, first swing the white lid of the deck cover through 180° and snap it into its open position.
- Then just insert the end of the pump handle into the socket on the rocker arm, and move the handle backwards and forwards.
- For maximum efficiency, use even strokes through the full arc of travel of the handle.
- Expect the pump to prime and begin to discharge after a few strokes.
- After use, remove the handle and return it to its storage position.
- Close the white lid of the deck cover.

# EXPLODED VIEW

29240-0000 Bulkhead

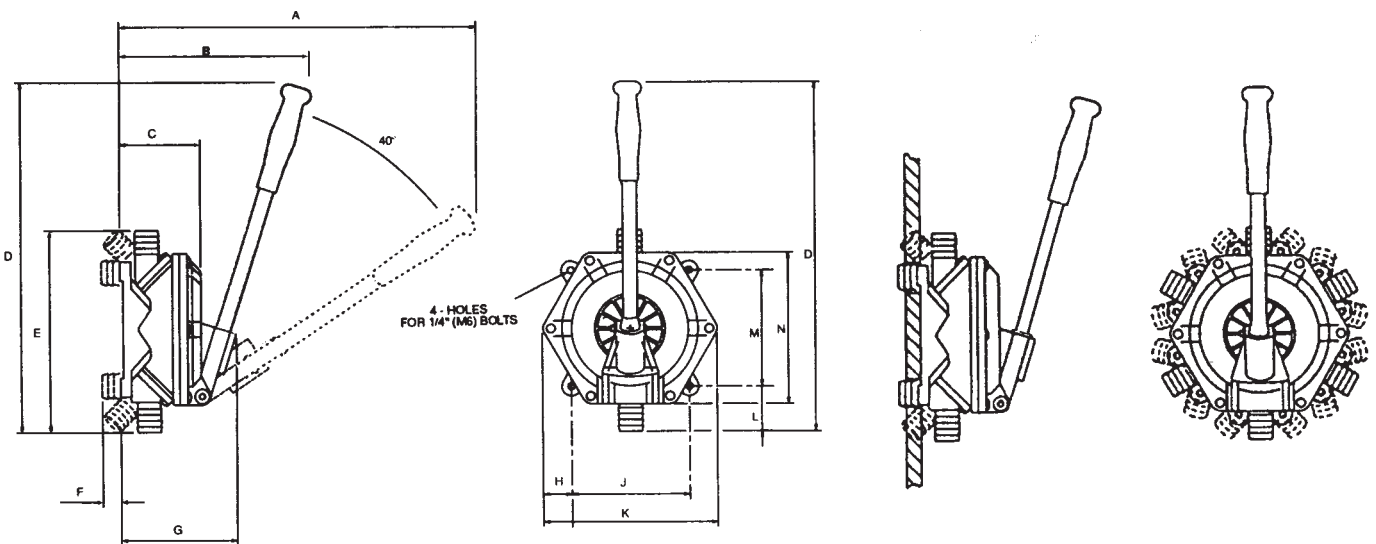


| REPAIR KITS AVAILABLE |            |                         |
|-----------------------|------------|-------------------------|
| KIT                   | PART NO:   | DESCRIPTION             |
| A                     | 29246-1000 | MAJOR SERVICE KIT       |
| B                     | 29241-1000 | PORTS KIT               |
| C                     | 29243-1000 | CLAMP RING & ROCKER KIT |

| KEY | DESCRIPTION       | QTY PER PUMP | PART NO:   | QTY PER REPAIR KIT |   |   |
|-----|-------------------|--------------|------------|--------------------|---|---|
|     |                   |              |            | A                  | B | C |
| 1   | OUTLET PORT       | 1            |            |                    | 1 | 1 |
| 2   | OUTLET VALVE      | 1            |            |                    | 1 | 1 |
| 3   | BODY              | 1            | 29242-1000 |                    |   |   |
| 4   | DIAPHRAGM PLATE   | 2            |            |                    |   | 2 |
| 5   | DIAPHRAGM         | 1            |            |                    | 1 |   |
| 6   | CLAMP RING        | 1            |            |                    |   | 1 |
| 7   | SCREW             | 14           |            |                    | 3 | 2 |
| 8   | CON ROD           | 1            |            |                    |   | 1 |
| 9   | PIVOT PIN (LONG)  | 1            |            |                    |   | 1 |
| 10  | ROCKER            | 1            |            |                    |   | 1 |
| 11  | PIVOT PIN (SHORT) | 2            |            |                    |   | 2 |
| 12  | STARLOCK WASHER   | 2            |            |                    |   | 2 |
| 13  | STARLOCK WASHER   | 1            |            |                    |   | 1 |
| 14  | HANDLE            | 1            | 29267-1000 |                    |   |   |
| 15  | INLET VALVE       | 1            |            |                    | 1 | 1 |
| 16  | INLET PORT        | 1            |            |                    |   | 1 |
| 17  | WASHER            | 1            |            |                    | 1 | 1 |
| 18  | BOLT              | 1            |            |                    |   | 1 |

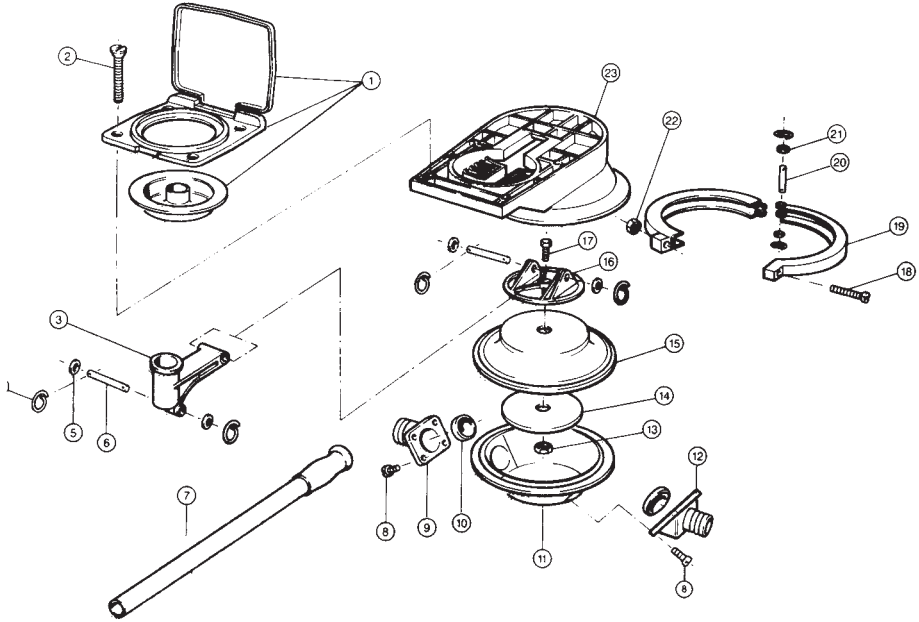
# DIMENSIONS

Inches (Millimeters)



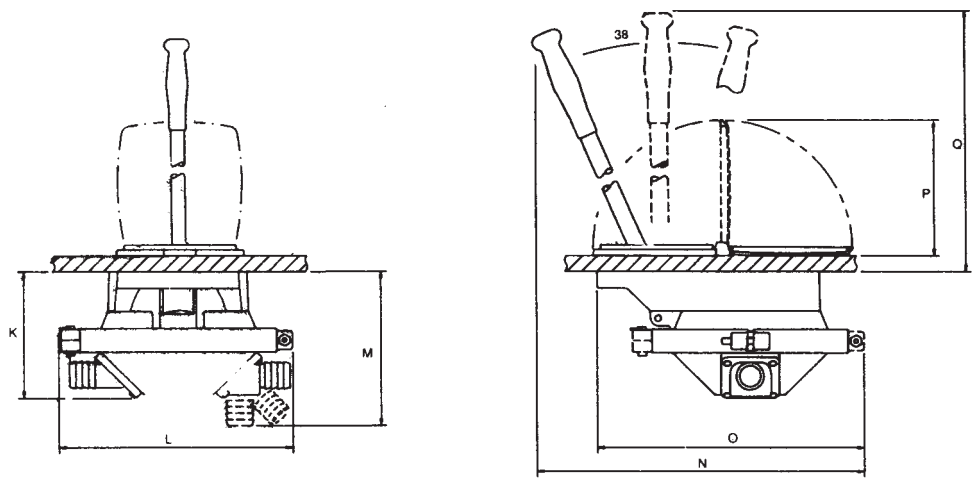
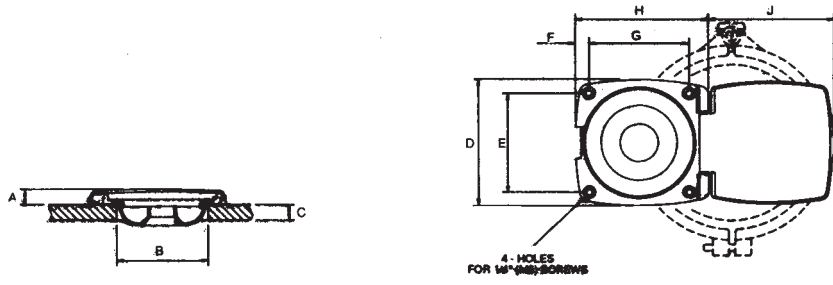
| A      | B      | C     | D       | E     | F    | G     | H      | J       | K       | L       | M       | N     | UNITS | WEIGHT   |
|--------|--------|-------|---------|-------|------|-------|--------|---------|---------|---------|---------|-------|-------|----------|
| 14 1/4 | 7 9/16 | 3 1/4 | 14 1/16 | 8     | 3/4  | 4 3/4 | 1 1/8  | 4 11/16 | 6 15/16 | 1 13/16 | 4 11/16 | 6 1/8 | ins   | 1.4 lbs  |
| (362)  | (192)  | (82)  | (357)   | (204) | (19) | (120) | (28.5) | (119)   | (176)   | (46)    | (119)   | (155) | (mm)  | (0.6 kg) |

**29250-0000 1" Thrudeck**  
**29250-0010 1-1/2" Thrudeck**



| REPAIR KITS AVAILABLE |            |                     |
|-----------------------|------------|---------------------|
| KIT                   | PART NO:   | DESCRIPTION         |
| A                     | 29256-1000 | MAJOR SERVICE KIT   |
| B                     | 29241-1000 | PORTS KIT 1"        |
|                       | 29241-1010 | PORTS KIT 1-1/2"    |
| C                     | 29252-1000 | CLAMP RING ASSEMBLY |
| D                     | 29254-1000 | ROCKER ASSEMBLY     |

| KEY | DESCRIPTION             | QTY PER PUMP | PART NO:   | QTY PER REPAIR KIT |   |   |   |
|-----|-------------------------|--------------|------------|--------------------|---|---|---|
|     |                         |              |            | A                  | B | C | D |
| 1   | THROUGH DECK KIT        | 1            | 29279-0000 |                    |   |   |   |
| 2   | SCREW                   | 4            |            |                    |   |   |   |
| 3   | ROCKER                  | 1            |            |                    |   |   | 1 |
| 4   | RING CLIP               | 6            |            |                    |   | 2 | 4 |
| 5   | WASHER                  | 4            |            |                    |   |   | 4 |
| 6   | PIVOT PIN               | 2            |            |                    |   |   | 2 |
| 7   | HANDLE                  | 1            | 29267-1000 |                    |   |   |   |
| 8   | SCREW                   | 8            |            |                    |   | 2 | 2 |
| 9   | OUTLET PORT             | 1            |            |                    |   | 1 |   |
| 10  | FLAP VALVE              | 2            |            |                    |   | 2 | 2 |
| 11  | LOWER BODY              | 1            | 29258-1000 |                    |   |   |   |
| 12  | INLET PORT              | 1            |            |                    |   | 1 |   |
| 13  | NYLOC NUT               | 1            |            |                    |   | 1 | 1 |
| 14  | DIAPHRAGM PLATE (LOWER) | 1            |            |                    |   |   | 1 |
| 15  | DIAPHRAGM               | 1            |            |                    |   | 1 |   |
| 16  | DIAPHRAGM PLATE (UPPER) | 1            |            |                    |   |   | 1 |
| 17  | BOLT                    | 1            |            |                    |   |   | 1 |
| 18  | SCREW                   | 1            |            |                    |   | 1 | 1 |
| 19  | DIAPHRAGM CLAMP RING    | 2            |            |                    |   |   | 2 |
| 20  | PIVOT PIN (CLAMP)       | 1            |            |                    |   |   | 1 |
| 21  | WASHER                  | 2            |            |                    |   |   | 2 |
| 22  | NUT                     | 1            |            |                    |   |   | 1 |
| 23  | UPPER BODY              | 1            | 29251-1000 |                    |   |   |   |



| A      | B     | C            | D     | E       | F      | G       | H      | J     | K     | L        | M       | N       | O       | P      | Q        | UNITS | WEIGHT   |
|--------|-------|--------------|-------|---------|--------|---------|--------|-------|-------|----------|---------|---------|---------|--------|----------|-------|----------|
| 9/16   | 3/8   | 3/16 - 15/16 | 4 3/4 | 3 23/32 | 1/2    | 3 23/32 | 5 3/32 | 4 1/2 | 4 3/4 | 4 1 1/32 | 5 25/32 | 12 7/32 | 9 29/32 | 5 3/32 | 10 29/32 | ins   | 2.5 lbs  |
| (14.5) | (Ø86) | (5-22)       | (120) | (94)    | (12.8) | (94)    | (129)  | (115) | (121) | (110)    | (147)   | (310)   | (252)   | (129)  | (277)    | (mm)  | (1.2 kg) |

|                |                 |               |                 |                |                 |                |               |                 |                 |                   |               |             |                  |             |
|----------------|-----------------|---------------|-----------------|----------------|-----------------|----------------|---------------|-----------------|-----------------|-------------------|---------------|-------------|------------------|-------------|
| A              | B               | C             | D               | E              | F               | G              | H             | J               | K               | L                 | M             | N           | O                | UNITS       |
| 4 1/2<br>(115) | 5 3/32<br>(129) | 1/2<br>(12.8) | 3 23/32<br>(94) | 4 3/4<br>(120) | 7 1/16<br>(180) | 4 3/4<br>(121) | 2 7/8<br>(73) | 2 19/32<br>(66) | 5 3/32<br>(129) | 10 29/32<br>(277) | 1 1/8<br>(29) | 15<br>(380) | 8 11/32<br>(212) | ins<br>(mm) |

|                 |                |               |                 |                |                   |                |           |                  |                 |                |                 |             |                     |
|-----------------|----------------|---------------|-----------------|----------------|-------------------|----------------|-----------|------------------|-----------------|----------------|-----------------|-------------|---------------------|
| P               | Q              | R             | S               | T              | V                 | W              | X         | Y                | Z               | AA             | BB              | UNITS       | WEIGHT              |
| 15 3/8<br>(390) | 9 1/2<br>(242) | 1 5/8<br>(41) | 6 5/32<br>(156) | 1 5/16<br>(33) | 15 15/16<br>(405) | 9 3/8<br>(238) | 1<br>(26) | 5 19/32<br>(149) | 19 5/8<br>(498) | 9 5/8<br>(244) | 7 9/16<br>(192) | ins<br>(mm) | 2.9 lbs<br>(1.2 kg) |

| F                         | K                        | L                        | M                       | N                        | O                         | P           | UNITS       | WEIGHT               |
|---------------------------|--------------------------|--------------------------|-------------------------|--------------------------|---------------------------|-------------|-------------|----------------------|
| $12\frac{7}{32}$<br>(310) | $26\frac{3}{4}$<br>(680) | $5\frac{3}{32}$<br>(130) | $7\frac{7}{8}$<br>(200) | $1\frac{1}{2}$<br>(38.1) | $5\frac{29}{32}$<br>(150) | 14<br>(355) | ins<br>(mm) | 9.7 lbs<br>(4.40 kg) |

29280-0000 WARRIOR

| A                        | B                        | C                        | D                        | E                       | F                         | G                       | H                        | J                        | K                        | L                        | M                       | N                        | O                         | P           | UNITS       | WEIGHT              |
|--------------------------|--------------------------|--------------------------|--------------------------|-------------------------|---------------------------|-------------------------|--------------------------|--------------------------|--------------------------|--------------------------|-------------------------|--------------------------|---------------------------|-------------|-------------|---------------------|
| $4\frac{7}{32}$<br>(115) | $5\frac{1}{16}$<br>(129) | $3\frac{23}{32}$<br>(94) | $3\frac{23}{32}$<br>(94) | $4\frac{3}{8}$<br>(120) | $12\frac{7}{32}$<br>(310) | $9\frac{5}{8}$<br>(244) | $5\frac{3}{32}$<br>(129) | $9\frac{7}{16}$<br>(240) | $26\frac{3}{4}$<br>(680) | $5\frac{3}{32}$<br>(130) | $7\frac{7}{8}$<br>(200) | $1\frac{1}{2}$<br>(38.1) | $5\frac{29}{32}$<br>(150) | 14<br>(355) | ins<br>(mm) | 11 lbs<br>(4.95 kg) |

## **A. LIMITED WARRANTY:**

Jabsco warrants that at the time of shipment, the products manufactured by Jabsco and sold hereunder shall be in conformity with applicable written specifications and descriptions referred to or set forth herein, free from defects in material and workmanship, merchantable, and suitable for a particular purpose, provided such is implied by State law under the circumstances of this sale.

## **B. WARRANTY ADJUSTMENT:**

1. Jabsco agrees to repair or furnish a replacement for, but not to remove or install, any product or component thereof which, within one (1) year from date of purchase, shall upon test and examination by Jabsco prove defective within the above warranty. Receipt verifying purchase date is required to obtain adjustment.
2. Buyer shall notify Jabsco of any defect within this warranty no later than ninety (90) days after the defect is discovered.
3. No product will be accepted for return or replacement without the prior written authorization of Jabsco. Upon such authorization, and in accordance with instructions from Jabsco, the product will be returned to Jabsco, shipping charges prepaid by Buyer. Products returned to Jabsco will be addressed as follows:

**JABSCO**  
1485 Dale Way  
Costa Mesa, California 92626-3998

Or to such alternate locations as may be designated on the product, its container, or this sheet.  
Repair or replacement made under this warranty will be shipped prepaid to Buyer.

## **C. EXCLUSIONS FROM WARRANTY AND LIMITATION OF LIABILITY:**

1. The foregoing warranty is limited solely as set forth herein and applies only for the period designated above.
2. JABSCO SHALL NOT BE LIABLE FOR ANY LOSS, DAMAGE, SPECIAL OR CONSEQUENTIAL

DAMAGE OF ANY KIND, WHETHER BASED UPON WARRANTY, CONTRACT, NEGLIGENCE, OR STRICT LIABILITY ARISING IN CONNECTION WITH THE SALE, USE, OR REPAIR OF THE PRODUCT.

3. THE MAXIMUM LIABILITY OF JABSCO IN CONNECTION WITH THIS WARRANTY SHALL NOT IN ANY CASE EXCEED THE CONTRACT PRICE FOR THE PRODUCT CLAIMED TO BE DEFECTIVE OR UNSUITABLE.
4. This warranty does not extend to any product manufactured by Jabsco which has been subjected to misuse, neglect, accident, improper installation, or use in violation of instructions furnished by Jabsco.
5. This warranty does not extend to or apply to any unit which has been repaired or altered at any place other than Jabsco's factory, or by persons not expressly approved by Jabsco, nor to any unit the serial number, model number, or identification of which has been removed, defaced or changed.
6. Components manufactured by any supplier other than Jabsco shall bear only that warranty made by the manufacturer of that product.
7. This warranty applies to products defined as "consumer products" by the Consumer Product Warranties Act as from time to time amended.

## **D. CONSUMER RIGHTS:**

This warranty gives you specific legal rights, and you may have other rights which vary from state to state. Some states do not allow exclusion or limitation of damages.

**STANDARD WARRANTY:** If the products manufactured and sold hereunder are not Consumer Products, the warranty extended to Buyer shall be as set forth in subparagraphs (A), (B), and (C), **EXCEPT THAT ALL EXPRESS OR IMPLIED WARRANTIES OR MERCHANTABILITY OR SUITABILITY FOR ANY PARTICULAR PURPOSE ARE EXCLUDED.**

## AMAZON BULKHEAD

- Repositionable ports and body offer 96 assembly variations
- Sustainable outputs up to 10 GPM (6.1 Strokes/gal)

### CONNECTIONS FOR 1 INCH ID HOSE

**29240-0000** Bulkhead pump, with detachable handle, Ship. Wt. 1-1/2 lb (0.7 kg)

## AMAZON UNIVERSAL

- Push-fit port (one included – optional additional elbow available) swivel through 360° to increase flexibility of installation
- Unique safety feature allows operation from both inside and outside the cabin (with optional through deck kit)
- Quick release clamp ring gives fast access for blockage clearance
- Flow rate of up to 22 GPM (2.8 Strokes/gal)
- Excellent solids handling ability for use with holding tanks

### CONNECTIONS FOR 1-1/2 INCH ID HOSE

**29270-0000** Universal pump, with detachable handle and one push-fit elbow included Ship. Wt. 3 lb (1.4 kg)

**29279-0000** optional through deck kit

**29266-1000** additional push-fit elbow

## IXEF

IXEF® – the new, lightweight, super tough, non-magnetic molded material

®Registered Trade Mark of SOLVAY

## AMAZON THRUDECK

**1" Ports**                      **Model 29250-0000**

**1-1/2" Ports**                **Model 29250-0010**

- The ultimate compact through deck pump with 16 port variations relative to the body
- Loosening just one screw lets you clear blockages or re-position the body anywhere through 360°
- Includes through deck kit and cover, with 4 mounting positions relative to the pump
- Two models available for 1" and 1-1/2" hose connections
- Readily achievable 11 GPM (7.2 Strokes/gal)(1") or 16 GPM (5.1 Strokes/gal)(1-1/2")

**29250-Series** ThruDeck pump, with detachable handle and through deck kit, Ship. Wt. 2-1/2 lb (1.2 kg)

## AMAZON WARRIOR

- Robust, alloy body particularly suited to workboat and safety applications
- Double diaphragm design gives maximum efficiency, and added safety because each side of the pump operates independently
- Solid 18" handle allows sustained high outputs of up to 30 GPM (2.7 Strokes/gal)

### CONNECTIONS FOR 1-1/2 INCH ID HOSE

**29280-0000** Warrior pump, with detachable handle, Ship. Wt. 11 lb (5 kg)

**29279-0000** optional through deck kit

**29289-0000** under deck bracket (required for use with through deck kit)

## AMAZON ACCESSORIES

**29290-0000** Bilge strainer for 1 inch (25mm) ID hose

**29290-0010** Bilge strainer for 1-1/2 inch (38mm) ID hose

**29295-0000** In-line non-return valve for 1 inch (25mm) ID hose

**29295-0010** In-line non-return valve for 1-1/2 inch (38mm) ID hose

THE PRODUCTS DESCRIBED HEREIN ARE SUBJECT TO THE JABSCO ONE YEAR LIMITED WARRANTY, WHICH IS AVAILABLE FOR YOUR INSPECTION UPON REQUEST.

[www.xylemflowcontrol.com](http://www.xylemflowcontrol.com)

Jabco, 100 Cummings Center, Ste. 535-N, Beverly, MA 01915  
Tel: +1 978 281 0440 Fax: +1 978 283 2619

Jabco, Bingley Road, Hoddesdon, Hertfordshire, EN11 0BU  
Tel: +44 (0) 1992 450 145 Fax: +44 (0) 1992 467 132

NHK Jabco Co Ltd, 3-21-10, Shin - Yokohama Kohoku-ku, Yokohama 222  
Tel: +81 (0) 45 475 8906 Fax: +81 (0) 45 475 8908

Jabco GmbH, Oststraße 28, 22844 Norderstedt  
Tel: +49 (0) 40 53 53 73 0 Fax: +49 (0) 49 53 53 73 11

Jabco Italia, s.r.l., Via Tommaseo, 6, 20059 Vimercate, Milano  
Tel: +39 039 685 2323 Fax: +39 039 666 307

USA

UK

JAPAN

GERMANY

ITALY



a xylem brand