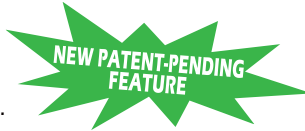
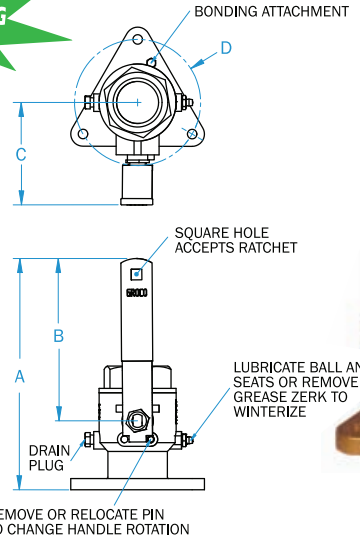


FBV SERIES

- 1-1/4" sizes and larger include one grease zerk fitting (can be used for lubrication or for draining). See page 12 for more.



- Patented field reversible handle allows you to select the closed position orientation (clockwise or counter-clockwise) that best suits the installation.
- Handle has square hole to accept standard ratchet, to help reach valves in hard-to-reach locations and ease actuation of difficult to operate valves.
- Full Flow.
- Triangular base with bolt pattern to match most popular brands makes retrofit easy.
- Stainless steel handle and hardware.
- Chrome plated solid brass ball.
- PTFE Seats and Seals.
- Bonding attachment on base.



FBVL Series
has locking mechanism

MODEL	THREAD BOTTOM NPS	THREAD TOP NPT	A inch	B inch	C inch	D inch	E inch	WEIGHT lb	PKG
FBV-750	3/4"	3/4"	6.14	3.92	2.40	3.12	5/16	1.9	2
FBV-1000*	1"	1"	6.98	4.40	2.60	3.38	5/16	2.6	2
FBV-1250	1-1/4"	1-1/4"	7.12	4.85	2.70	3.62	5/16	3.0	2
FBV-1500*	1-1/2"	1-1/2"	8.23	5.77	3.15	4.50	5/16	4.4	2
FBV-2000	2"	2"	10.14	7.53	3.54	5.00	3/8	6.2	2
FBV-2500	2-1/2"	2-1/2"	12.81	7.75	4.21	5.88	3/8	14.3	1
FBV-3000	3"	3"	14.85	9.02	6.99	7.00	3/8	23.2	1

*These sizes are available with locking handle. Order FBVL-1000 or FBVL-1500.