

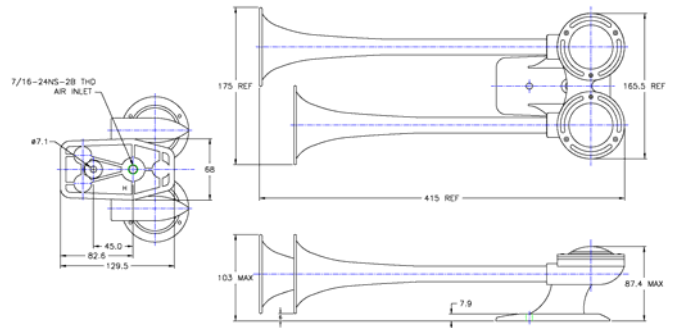
DESCRIPTION : PNEUMATIC TRUMPET HORN
SS Trumpets – DUAL NOTE

FULTONE

Main Specifications and Performances

Dimensions - mm

Nominal compressor voltage	12 or 24	Vdc
Voltage range	11.5–14.2 / 23–28.4	Vdc
Current consumption	20 / 10	A
Sound pressure level @ 1M	114 min – Low Pressure	dB(A)
Frequency 'H' & "L"	300/260	Hz
Operating temperature range	0° to +120°	°F
Storage temperature range	-30° to +180°	°F
Corrosion resistance	> 480 (salt spray test)	Hours
Operating relative humidity	30 to 80	%
Durability (1 sec ON, 4 sec OFF)	20,000	Cycle s
Continuous blowing	3 minimum	min
Electrical insulation (compressor)	1000	Vdc
Weight	2 lb 6 oz	lb/oz
Main Materials (Trumpets)	Stainless Steel	
Main Materials (Base)	Painted Aluminum	
Main Applications	OE / Aftermarket	



Available Electrical Connection

¼" Blade terminals on compressor.

Horns are available with or without compressor.

Other Specifications

Mechanical connection : Flat and rigid surface, trumpet pointed downwards 3 to 5 degrees minimum.

Horn's Protection: Designed for external use. Not to be submerged.

Packaging: Unit box.

Master carton: Options available.

Bracket style:
Mounts through base.

Conforms To The Following Standards

MANUFACTURING ✓ ISO 9001

