

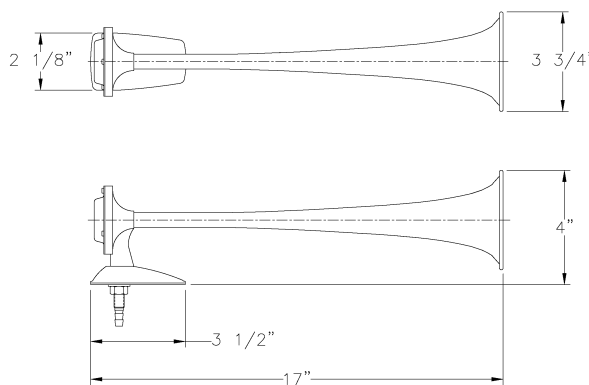
**DESCRIPTION : PNEUMATIC TRUMPET HORN**  
**STAINLESS STEEL / CHROMED BRASS – LOW NOTE**

# TORONADO

**Main Specifications and Performances**

Nominal compressor voltage	12 or 24	Vdc
Voltage range	11.5–14.2 / 23–28.4	Vdc
Current consumption	20 / 10	A
Sound pressure level @ 1M	120 minimum	dB(A)
Frequency 'L'	320	Hz
Operating temperature range	0° to +120°	°F
Storage temperature range	-30° to +180°	°F
Corrosion resistance	> 480 (salt spray test)	Hours
Operating relative humidity	30 to 80	%
Durability (1 sec ON, 4 sec OFF)	20,000	Cycles
Continuous blowing	3 minimum	min
Electrical insulation (compressor)	1000	Vdc
Weight	1 lb 10 oz	lb/oz
Main Materials (Trumpets)	304 Stainless Steel	
Main Materials (Base)	Chrome Plated Brass	
Main Applications	Marine	

**Dimensions - Inches**



**Available Electrical Connection**

¼" Blade terminals on compressor.

Horn is available with or without compressor.

**Other Specifications**

**Mechanical connection:** Flat and rigid surface, trumpet pointed downwards 3 to 5 degrees minimum.

**Horn's Protection:** Designed for external use. Not to be submerged.

**Packaging:** Unit box.

**Master carton:** Options available.

**Bracket style:** Mounts through base.

**Conforms To The Following Standards**

**PRODUCT**     ✓ ABYC  
                       ✓ USCG

**MANUFACTURING**     ✓ ISO 9001

