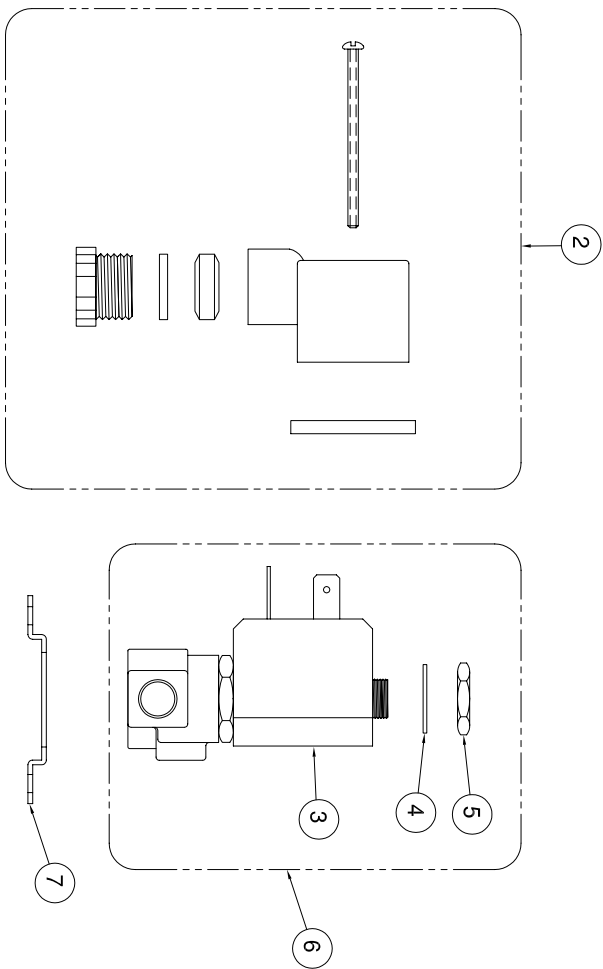


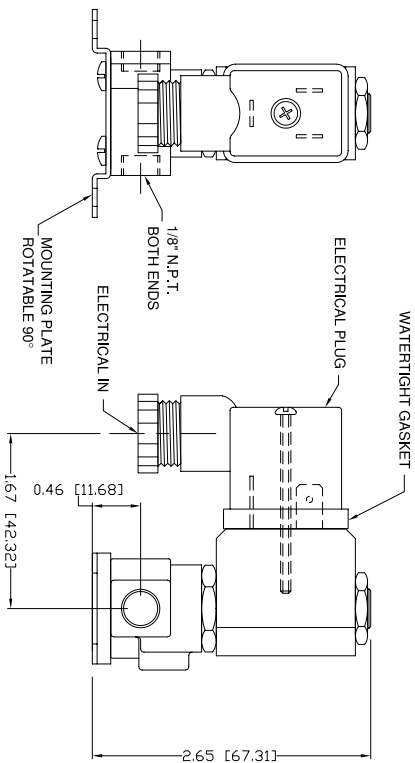
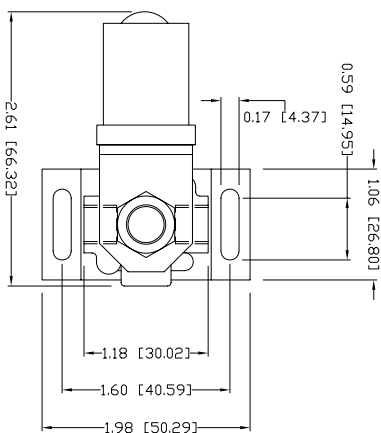
| REV. | BY | DATE | DESCRIPTION | APP'D. |
|------|-----|----------|-----------------------|--------|
| D | ZJN | 04/25/12 | UPDATED FOR NEW VALVE | EMK |



*** SPECIFY VOLTAGE WHEN ORDERING**

| ITEM | PART NO. | DESCRIPTION | QUAN. |
|------|----------|---|-------|
| * | 1 | SOLENOID VALVE KIT (COMPLETE) INCLUDING ITEMS 2 THROUGH 8 | 1 |
| * | 2 | V-69-P PLUG ASSEMBLY | 1 |
| * | 3 | V-69-C SOLENOID VALVE COIL | 1 |
| | 4 | V-69-W WASHER | 1 |
| | 5 | V-69-N RETAINING NUT | 1 |
| | 6 | V-69 SOLENOID VALVE (WITH COIL) | 1 |
| | 7 | V-69-B MOUNTING BRACKET | 1 |
| | 8 | W100-004ST WASHER, FLAT, M3 | 2 |
| | 9 | W078-0385T SCREW, PAN HD, M3 X 8MM X .5MM PITCH | 2 |

COIL VOLTAGES
 12 V.D.C. 6.9 WATTS
 24 V.D.C. 6.9 WATTS
 120 V.A.C. (50/60HZ) 6.9 WATTS



CONFIDENTIAL

INFORMATION CONTAINED HEREIN IS CONFIDENTIAL. IT IS THE PROPERTY OF KAHLEBERG INDUSTRIES INC. IT IS TO BE USED SOLELY FOR THE PURPOSE PROVIDED AND IT IS NOT TO BE DISCLOSED TO OTHERS WITHOUT THE PRIOR WRITTEN CONSENT OF KAHLEBERG INDUSTRIES INCORPORATED.

KAHLEBERG INDUSTRIES INC.

TWO RIVERS, WISCONSIN 54241



PARTS LIST/ OUTLINE DIMENSIONS
V-69K SOLENOID VALVE KIT

Copyright Kahleberg Ind. Inc. 2010

| DR. | DATE | CKD. | SCALE | DRWG. NO. | REV. |
|-----|----------|------|--------|-----------|------|
| ZJN | 02/19/08 | EMK | N.T.S. | 2-5045 | D |