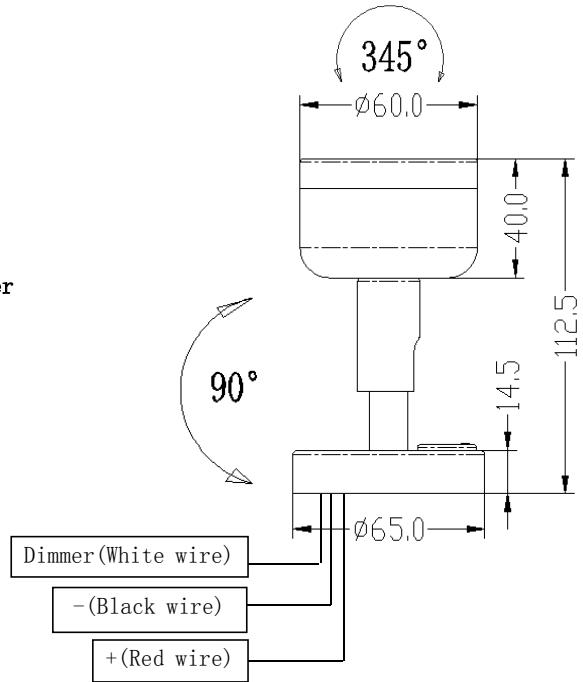
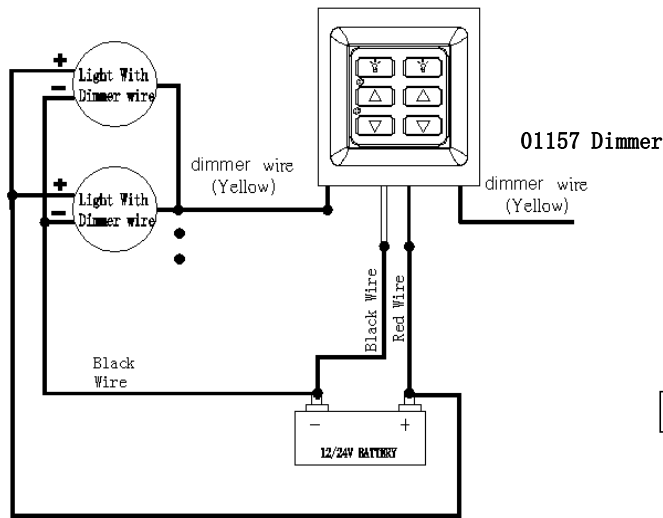


00020-BL/00020-CP/00020-SS (#41397P)			
Material	Housing:BL/CP:Made of brass SS:Made of SUS304		
Housing Colour	BL:Brass Lacquered	CP:Chrome Plated Brass	SS:polished S.S
LED Colour	Warm White		
LED	1pcs 3W		
LED Beam Angle/Lumen	110° /160-190 Lumen		
Colour Temperature	<input checked="" type="checkbox"/> Warm White:2900-3200 K <input type="checkbox"/> Daylight White: K		
Features	Surface mount		
Working Voltage	DC8-30V		
Wattage	3.1 W		
Effective Lumen/Power compared to standard bulb	100Lumen/10W		
life TEST FOR LED LAMP(1000 hours)	Lumen Maintenance Percentage>98%		
Operation Temperature	-20° ~ +45°C		
Certificate	<div style="display: flex; justify-content: space-around; align-items: center;"> <div style="border: 1px solid black; padding: 2px;">UL</div> <div style="border: 1px solid black; padding: 2px;">CE</div> <div style="border: 1px solid black; padding: 2px;">ROHS</div> <div style="border: 1px solid black; padding: 2px;">TUV</div> </div>		

The light is for type "Z" attachments. The external flexible cable or cord of this luminaire cannot be replaced; if the cord is damaged, the luminaire shell be destroyed

wiring diagram



NOTE: AAA recommends using AAA Brand Dimmer #01157 for this wiring diagram. compatibility with other branded dimmer is NOT guaranteed.

GONIOPHOTOMETER TEST REPORT

