

# MARINE PRODUCT DATA SHEET

**OEM:** 277-3100 (3" Blower)  
**AFTERMARKET:** 277-3110 (3" Blower)

## APPLICATION

Ventilation for engine compartments, bilges, galleys and head closets

## BLOWER

Type: In-line Blower  
Port (Output): 3" Barb  
Port (Inlet): 3" Barb  
Fan: 6 Blade

## ELECTRICAL

Motor: 12VDC Permanent Magnet, Continuous Duty  
Protection: Need External Fuse (Not supplied)  
Leads: 12 In [0.3M] Tinned, 16 AWG  
Fuse: 5 Amp Recommended  
Control: No Control

## MATERIALS

Housing: ABS  
Fan: Nylon 6/6 30% Glass Filled

## APPROVALS

ISO 9097 Marine, Ignition Protected, CE,  
USCG 183.410 Compliant, NMMA Type Accepted, ABYC

## WARRANTY

3 Year Limited Warranty. Contact SHURflo for details

## SHIPPING

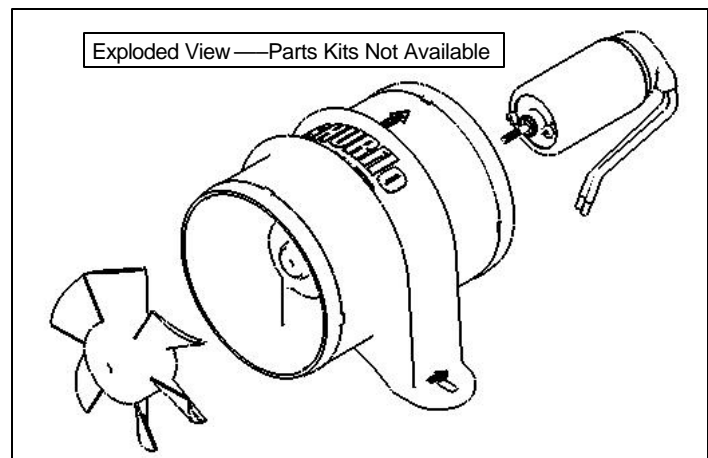
Net Weight: 0.8 Lb [0.36 Kg] each  
Carton Weight: 29 Lb [13.15 Kg]  
Blowers in Carton: 30  
Carton Size: 24"L x 18"W x 11" H  
[61cm x 46 cm x 28 cm]

## RELATED DOCUMENTS

Catalog: MS-030-140  
Installation Manual: 911-723  
Applications Spec Guide: MS-020-005

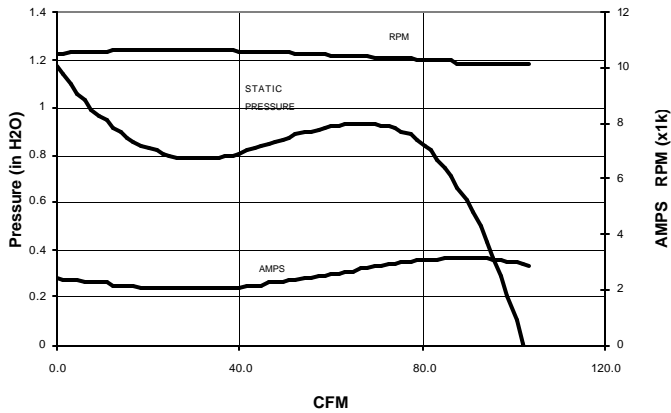


SHURflo has developed a unique nylon fan that includes 6 blades to ensure high performance and efficient ventilation. Installation of the Yellow-tail™ Blower is made easy with extended barbs and slotted mounting bracket.



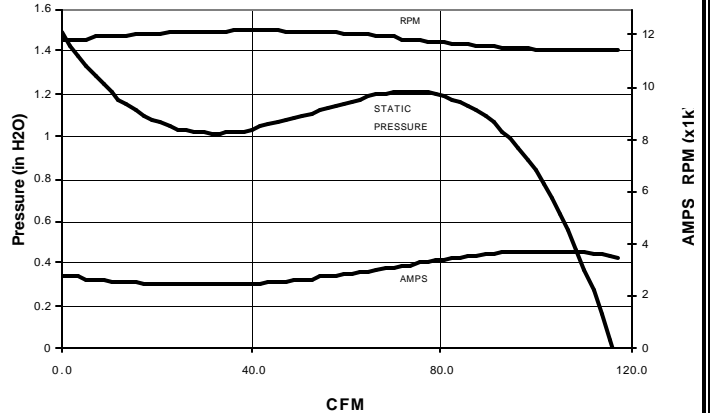
### Performance at Nominal Voltage 12 DVC

#### 3" Blower Model Series 277-3XXX 12 VDC

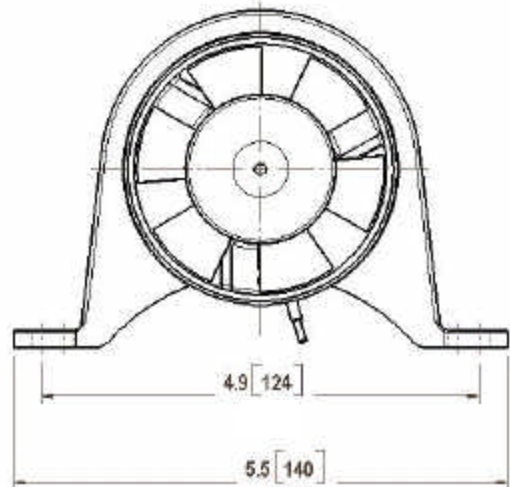
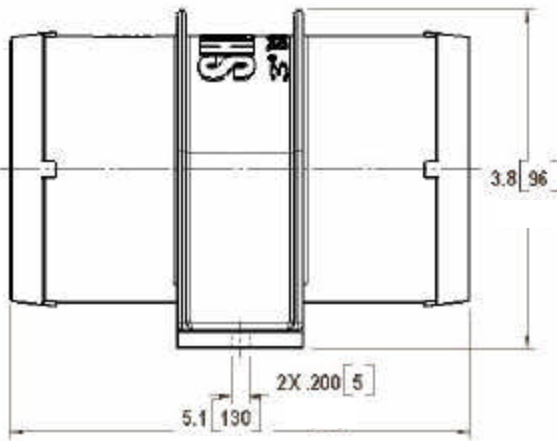


### Performance at Rated Voltage (113.3%) 13.6 DVC

#### 3" Blower Model Series 277-3XXX 13.6 VDC



### DIMENSIONS [mm]



Visit our Web Site at <http://www.shurflo.com>  
 Shurflo reserves the right to update specifications,  
 change prices, or make substitutions without notice.

**SHURflo**  
 5900 Katella Avenue  
 Cypress, CA 90630  
 Phone (562) 795-5200  
 Toll Free (800) 854-3218  
 Fax (562) 795-7564

**SHURflo East**  
 52748 Park Six Court  
 Elkhart, IN 46514-5427  
 Phone (562) 795-5200  
 Toll Free (800) 854-3218  
 Fax (574) 264-2169

**SHURflo Europe, Middle East, Africa**  
**Pentair Water Belgium bvba**  
 Industriepark Wolfstee, Toekomstlann 30  
 B-2200 Herentals, Belgium  
 Phone +32-14-283500  
 Fax +32-14-283505



**Pentair Water**  
**FLOW TECHNOLOGIES GROUP**  
 5900 Katella Ave, Cypress, CA 90630  
 Phone (800) 854-3218 • (562) 795-5200 • Fax (562) 795-7564  
[www.shurflo.com](http://www.shurflo.com)