

Vetus[®]

<i>Installatieinstructies</i>	2
<i>Installation instructions</i>	4
<i>Installationsanleitung</i>	6
<i>Instructions d'installation</i>	8
<i>Instrucciones de instalación</i>	10
<i>Istruzioni per l'installazione</i>	12

Koelwaterfilter

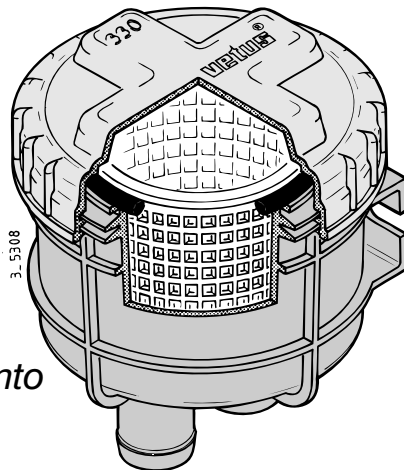
Cooling water strainer

Kühlwasserfilter

Filtre à eau froide

Filtro de agua de enfriamiento

Filtro per acqua di raffreddamento



330

Introduction

The Vetus cooling water strainers model 330 are equipped with a transparent lid, inspection therefore, can be carried out without opening of the strainer.

Due to the large active surface the strainer seldom needs to be cleaned.

In a standard installation situation (see 'Installation examples', drwg 1) the capacity is as per technical data, the capacity depends of the diameter of the hose connection.

Parallel connection

By connection of 2 water strainers in parallel (see 'Installation examples, drwg 2) a larger capacity can be obtained, see 'Technical data'.

By connection of 2 water strainers in parallel with the use of 2 extra valves (see 'Installation examples, drwg 3) it is possible, while the engine is running, to clean each filter separately.

Installation

Install the water strainer always above the waterline. Mount the strainer against a vertical bulkhead.

Install always a sea-cock on the water inlet

scoop!

Use for both connections, water scoop to strainer and strainer to engine, always flexible hose.

Use only water and/or soap to ease fitting the hoses to the hose pillars and never products containing grease or oil.

Fit each hose connection with 2 stainless steel hose clamps.

Use and maintenance

Inspect the strainer element regularly for contaminants.

N.B. The lid doesn't need to be removed for inspection.

Clean the strainer element if dirt has accumulated. Close the seacock before unscrewing the lid of the water strainer, see drwg 4. Remove the strainer element out of the housing and flush the strainer with clean water. Re-install the strainer element, grease the O-ring and the thread with e.g. silicone oil or teflon based spray, see drwg 6, and reinstall the lid.

N.B. Secure or loosen the lid always manually. Never use tools for this purpose, see drwg 4 and 5.

Check the seal between lid and housing after cleaning and re-assembling the strain-

er. An improperly sealed lid will result in air sucked in by the sea water pump of the engine which again will result in overheating of the engine.

To prevent damage of the water strainer, during frost in the winter time, either the water must be drained or the installation must be filled with anti-freeze.

Remove the hoses to drain the strainer; the

housing is not equipped with a drain plug.

Take care that during filling with anti-freeze no anti-freeze is spilled into the waterway. Anti-freeze is poisonous.

Technical data

Material housing : Polypropylene GF

Material strainer

element : HD Polyethylene

Material lid : Styrol/Acrylnitrile SAN

Weight : 0.45 kg (1 lb)

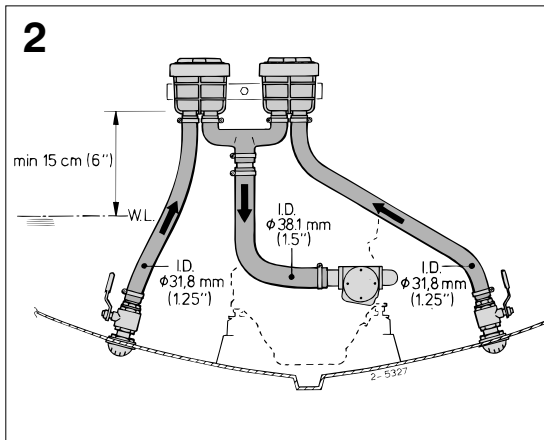
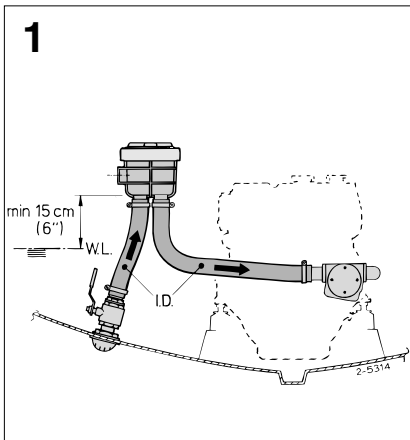
Max. ambient temperature : 75 °C (167°F)

Max. water temperature : 55 °C (131°F)

Max. pressure : 0,5 bar

(50 kPa, 7 psi)

Model	Hose connection	Maximum capacity			Recommended capacity in normal use		
		l/min	Imp.Gal/min	US Gal/min	l/min	Imp.Gal/min	US Gal/min
FTR330/13	13 mm (1/2")	50	11	13	23	5	6
FTR330/16	16 mm (5/8")	80	18	21	35	8	9
FTR330/19	19 mm (3/4")	120	26	32	51	11	13
FTR330/25	25 mm (1")	210	46	55	91	20	24
FTR330/32	32 mm (1 1/4")	330	73	87	143	31	38
FTR33038	38 mm (1 1/2")	470	103	124	200	44	53
FTR330/38	38 mm (1 1/2")	460	101	122	195	43	51



Installatievoorbeelden

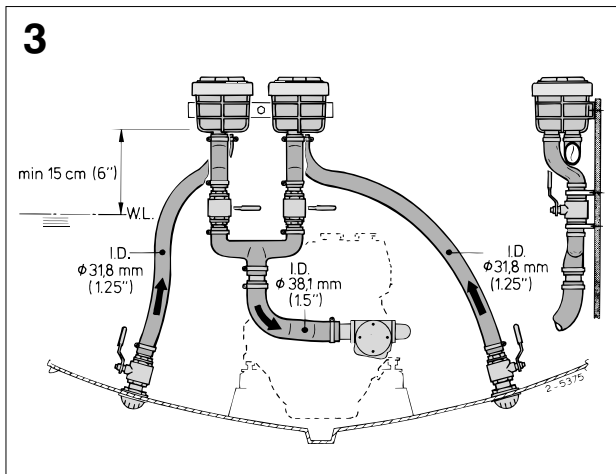
Installation examples

Montage-Beispiele

Exemples d'installation

Ejemplos de instalación

Esempi di installazione



Gebruik en onderhoud

Use and maintenance

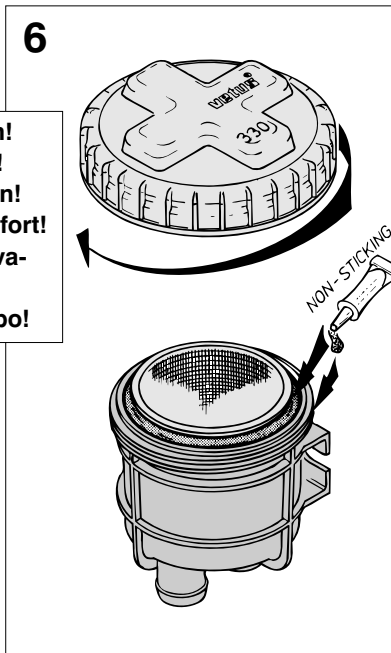
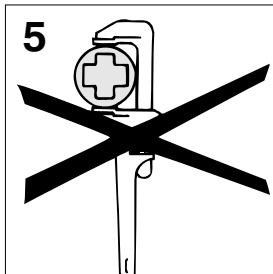
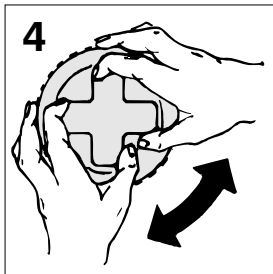
Betrieb und wartung

Emploi et entretien

Usò y mantenimiento

Usò e manutenzione

**Niet te vast draaien!
Do not overtighten!
Nicht zu fest drehen!
Ne pas serrer trop fort!
¡No apretar excesivamente!
Non stringere troppo!**



vetus den ouden n.v.

FOKKERSTRAAT 571 - 3125 BD SCHIEDAM - HOLLAND - TEL.: +31 10 4377700
TELEX: 23470 - TELEFAX: +31 10 4152634 - 4153249 - 4372673 - 4621286

Printed in the Netherlands

3.0502 I.FTR330 06-96, Rev. 10-99