

Introduction

Thank you for purchasing this automatic transfer switch manufactured with pride in the United States of America by Parallax Power Components L.L.C..

We are confident that it will give you outstanding performance for many years. If you have any questions or comments about this product, please contact Parallax Power Components L.L.C.'s customer service representative at the address or phone number listed below.

Parallax Power Components L.L.C.
112 E. Union St.
Goodland, IN 47948
Ph. (800) 443-4859

General Information

The ATS series transfer switches are designed to automatically switch the on board 120 volt appliances to generator power when the generator is activated.

No longer do you need to go outside, remove the shoreline cord from the pole and plug it into the generator receptacle. Likewise in marine applications, you do not have to go to the breaker panel, manually shut off the shoreline mains, then turn on the generator mains. Simply starting the generator activates the ATS, which will switch the loads for you.

Operation

After the ATS is installed, using one of the typical installations shown in this manual, it will be ready for years of trouble free service. Operation is automatic and no maintenance is required.

From Shoreline (All models)

To operate appliances from shoreline power, simply plug in the shoreline cord to the power pole at the campground or dock. ATS automatically connects all AC appliances to shoreline power. Note, on 30 amp units with two air conditions, only one will operate at a time because of the limits of the shoreline.

From Generator

ATS 30/50 (generator command)

To operate appliances from the on board generator, simply start the generator.

After a 60 second delay, to let the generator stabilize the ATS will engage, transferring all 120-volt appliances connected to the ATS load terminals, to the generator output. The shoreline can remain plugged in as the ATS completely separates it from the system.

ATS 100 (shoreline command)

The ATS 100 is shoreline command operated so the generator can only supply power to the loads when the shoreline is unplugged.

For generator operation, start the generator. After a 60 second delay, all 120 volt appliances connected to the ATS 100 load terminals will be automatically transferred to generator power NOTE: the shoreline cord must be unplugged.

For shoreline operation, plug the shoreline cord into the pole at your campsite or dock. All appliances connected to the load terminals on the ATS 100 will now operate from shoreline power.

Because the ATS 100 is shoreline command, the generator will be completely separated from any appliances connected to the ATS 100 load terminals while operating from shoreline power. The generator may continue to operate and in some applications it may be necessary if any loads are connected directly to the generator output.

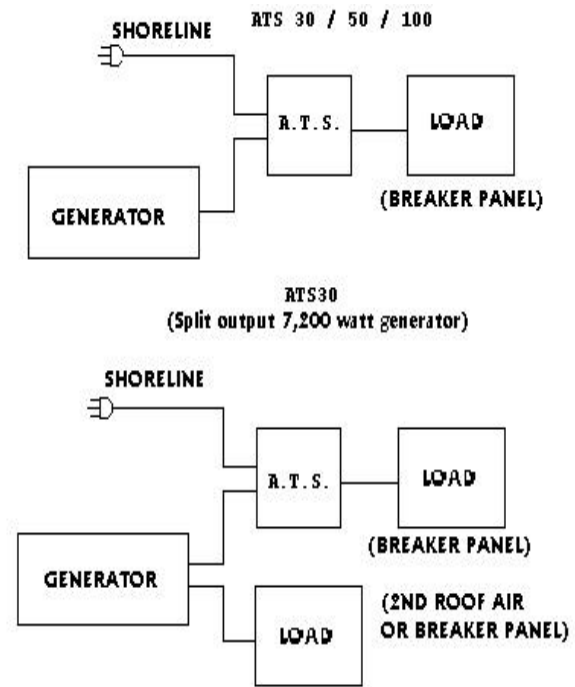
Mounting Location

The ATS models should be installed by a qualified electrician. All ATS models may be mounted in any position, leaving room for routing shoreline, generator and load (breaker panel) conductors.

To minimize voltage drops in conductors, the ATS should be located close to the generator and shoreline cord entrance. The ATS is not ignition protected, therefore it should not be mounted in the same compartment as batteries or other flammable material such as gasoline.

The ATS should be mounted in the cabin/living area or a basement compartment, but is not suitable for outside locations.

Typical Installations



Warranty Statement

Parallax Power Components L.L.C. warrants each ATS to be free from defects in materials or workmanship under normal use and service and limits the remedies to repair or replacement.

This warranty extends for two years from the date of purchase and is only valid to the original owner and within the continental limits of the United States and Canada.

If a problem should occur with your ATS within the first 24 months of purchase, please contact a dealer that handles warranty on your brand of boat or RV.

No user serviceable parts inside.

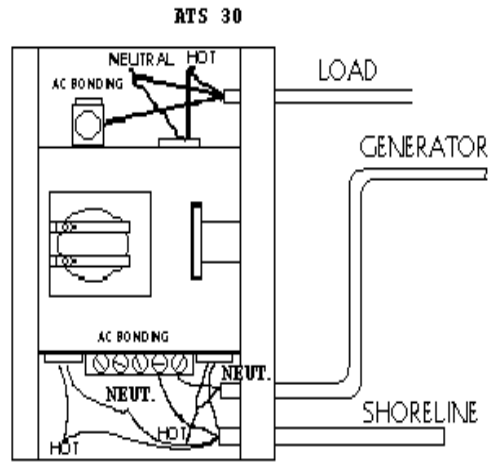
This warranty does not cover damage due to improper installation, abuse or accidents. All ATS models should be installed by a qualified electrician.

112 E. Union St.
Goodland, IN 47948

ATS 30 / 50 / 100

**AUTOMATIC
generator/line
TRANSFER
SWITCH**

Owner's Manual

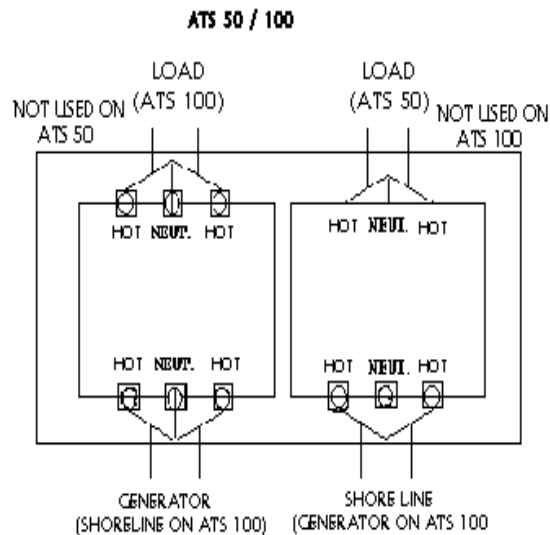


ATS 30

Electrical rating: 120 volt, 30 amps
Maximum generator: 3,600 watts
Relay: DPDT rated 30 amps
Coil: 110 volts DC
Command source: generator
(code "G" units manufactured after October 1992)
Dimensions: 5.125" wide, 4.125" tall, 8.69" long
Weight : 4 pounds
Not ignition protected
U.L. Listed for Canada and USA

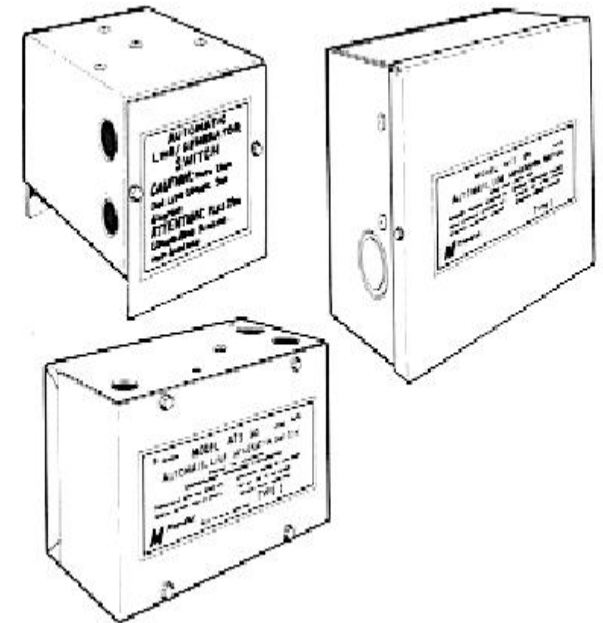
ATS 50

Electrical rating: 240 volt, 50 amps
Maximum generator: 12,000 watts
Contactor (2): 3-pole definite purpose
Coils (2): 120 volts AC
Command source: generator
Dimensions: 6.25" wide, 3.75" tall, 7.5" long
Weight: 8 pounds
Not ignition protected
U.L. Listed for Canada and USA



ATS 100

Electrical rating: 240 volt, 50 amps
Maximum generator: 12,000 watts
Contactor (2): 3-pole definite purpose
Coil (line): 120 volts DC
Coil (generator) : 120 volts AC
Command source: shoreline
Dimensions: 7.75" wide, 4.125" tall, 9.125" long
Weight: 9 pounds
Not ignition protected
U.L. Listed for Canada and USA



CAUTION:

Observe the polarity and torque specifications per the installation label included on the inside cover of each unit.