

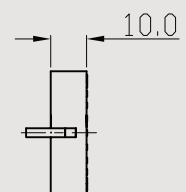
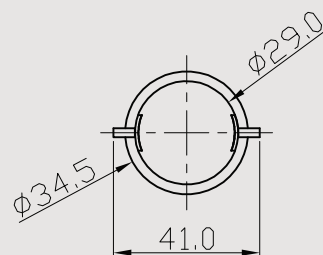
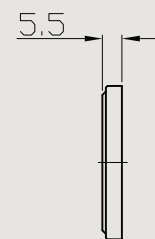
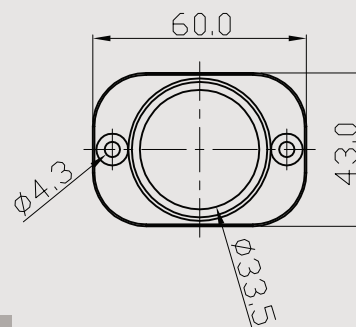
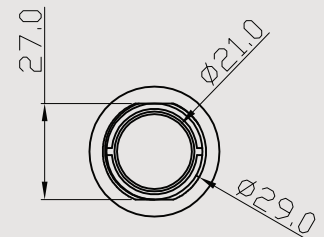
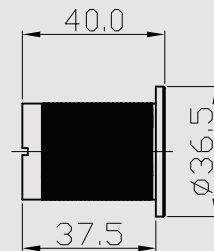
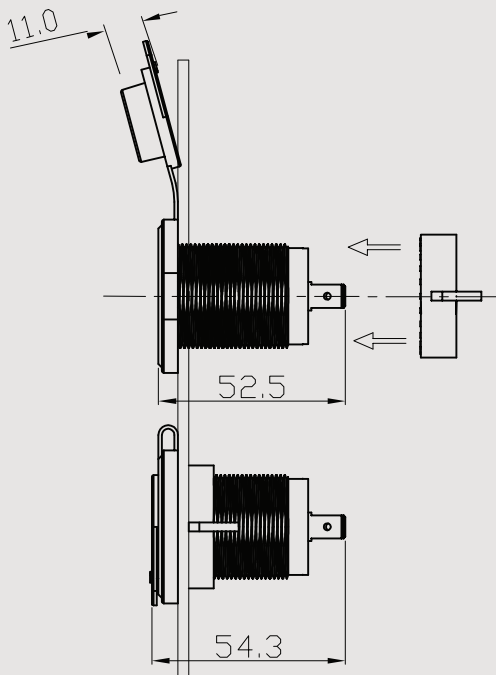
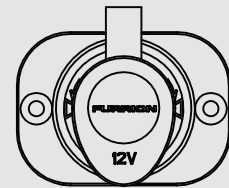
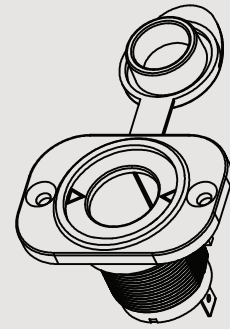
Model Number: F12VR

Furrion 12V Outdoor Receptacle.
Designed for your mobile needs.

Furrion's 12 volt outdoor receptacle made from UV stabilized PA with nickel plated electrical terminals, designed to withstand the outdoor elements.

Features include:

- UV Resistance
- Nickel plated terminals (for corrosion resistance)
- Easy lock mounting
- Weatherproof sealing
- Easy connect terminals
- Designed for Marine and Outdoor Applications



Mounting:

Simply drill a 1" ³/₁₆ hole to fit the F12VR receptacle. Then slide the rear twist collar onto the back of the 12V outlet and rotate the fixing collar to tighten. To provide extra weather resistance, the F12VR also comes with a front mounting bracket which secures the inlet from the front side for when the unit is used in exposed locations.

Measurement Units = mm (millimeters)