

GP Series Gear Pumps

Installation, Operation, and Maintenance



GPB
Gear Pump



GPBR
Reversing Gear Pump
Toggle Switch Control



GPBRT
Reversing Gear Pump
Touchpad Control



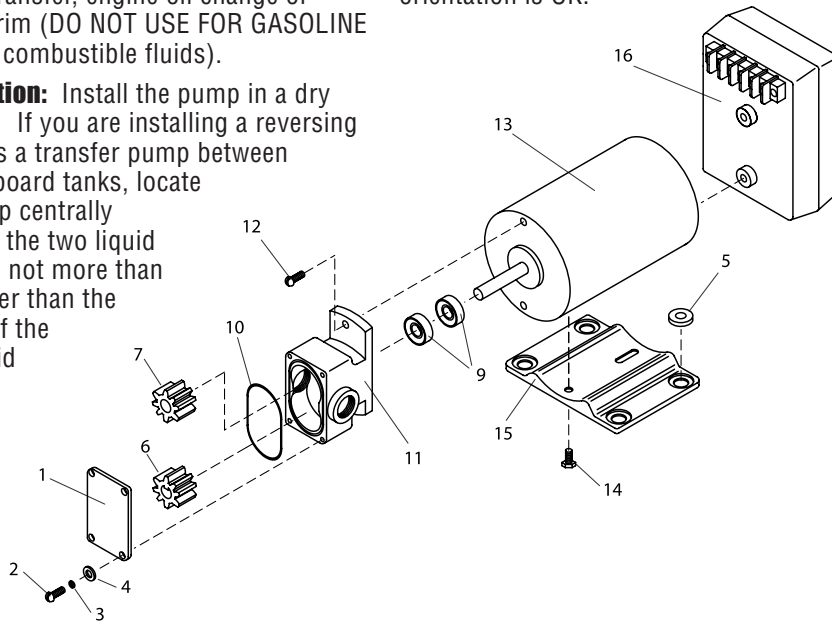
GPBR
Reversing Gear Pump
Remote Location Control

Concept: GROCO gear pumps are positive displacement pumps, capable of operation in either direction. They may be used to perform a variety of on-board duties such as fuel transfer, engine oil change or ballast trim (DO NOT USE FOR GASOLINE or other combustible fluids).

Installation: Install the pump in a dry location. If you are installing a reversing model as a transfer pump between two on-board tanks, locate the pump centrally between the two liquid sources, not more than 24" higher than the lowest of the two liquid

sources. Double clamp hose connections or use thread tape on pipe connections. Mount the pump securely with (4) 1/4" screws and flat washers. Any pump orientation is OK.

If the pump is at or below the liquid source level, in-line valves (GROCO IBV-375 or FV-375) may be installed at both pump ports to prevent fluid spills during pump service.



Installation, GPBR: Drill 1/2" hole for the panel switch, and use 18-gauge or larger 3-conductor marine grade wire between pump and switch. Use crimp-on ring terminals at the pump terminal block. Orient the switch to match your pumping direction (port/starboard or fore/aft).

Operation, GPB: No pump control is provided. The installer must provide switching.

Operation, GPBR: Pump-mounted On-Off-On toggle switch is provided.

Operation, GPBRT: Pump-mounted Touchpad Control is provided. Touchpad switching is momentary.

Operation, GPBR: On-Off-On momentary panel switch is supplied for control from a remote location.

Electrical: The pump should be powered and protected by a dedicated circuit breaker of the proper capacity. Refer to the wire size selection chart included with this pump. Use the proper wire size for connections between the breaker to the pump.

Series	Voltage	Breaker (For Water or Oil)
GP-1	12V	25
	24V	15

Maintenance: No regular maintenance is required. Annual inspection of plumbing and electrical connections should be made.

Winterization: If the pump is installed above the liquid level, no winterization is required. If the pump is installed at or below the liquid level, drain the pump body by removing the cover plate.

Item	Number	Part Name	Part Qty	Service Kit
1	GP-1-C	COVER	1	
2	1032X12HS	SCREW	4	
3	10SS	LOCKWASHER	4	
4	10S	FLAT WASHER	4	
5	B-200-G	GROMMETS SET (4)	1	
6	GPK-09-0938	GEAR, KEYED	1	
7	GP-09-0938	GEAR	1	
9	031-075-8	SEAL	2	*
10	2-029	O-RING	1	*
11	GP-1-375B	HOUSING	1	
12	1032X58HS	SCREW	2	
13	(VOLTAGE)-F	MOTOR	1	
14	1032X12HST	SCREW	2	
15	B-200-P	BASE	1	
16	REV-B (VOLTAGE)	REVERSING CONTROL (R MODELS)	1	
	REV-D ASSY	REVERSING CONTROL (RT MODELS)	1	
	REV-E ASSY	REVERSING CONTROL (RR MODELS)	1	
NS	SWITCH-8	CONTROL SWITCH (RR MODELS)	1	
	P-9	SERVICE KIT		*