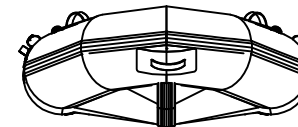
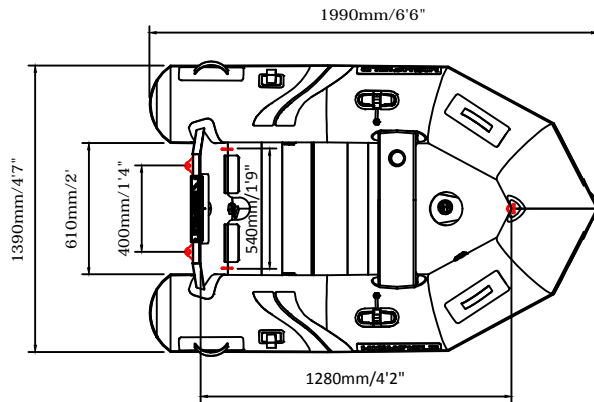
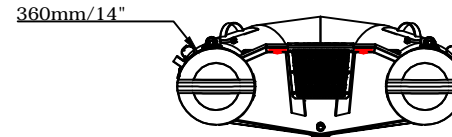
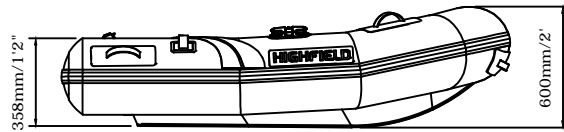


ROLL-UP 200

SPECIFICATIONS



SPECIFICATIONS AND MAXIMUM CAPACITIES (Subject to change without notice.Tolerances:Dimensions ±2.5% Weight ±5%)

MODEL	ISO 6185 PART	ISO 6185	Person		#	Person		Shaft	Outboard Engine				Fuel tank Capacity		Wet Weight (Approximate) 3.5HP (2.61KW)		AIR CHAMBERS	Pressure									
			KG	LB		KG	LB		Max power		Max weight		L	GAL	KG	LB		PSI	BAR								
									KW	HP	KG	LB															
RU200AL	1	C	250	551	2	150	331	S	2.61	3.5	27	60	27	60	/	/	/	/	/	/	/	/	54	120	3	3.63	0.25

Boat weight includes: molded seat, oar

2021V2