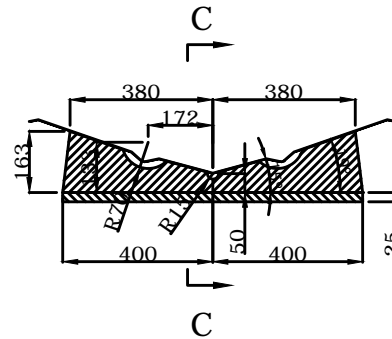
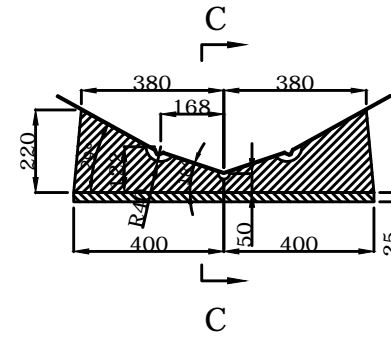


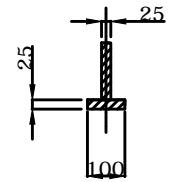
LONGITUDINAL PROFILE




TRANSVERSAL SECTION "A"



TRANSVERSAL SECTION "B"



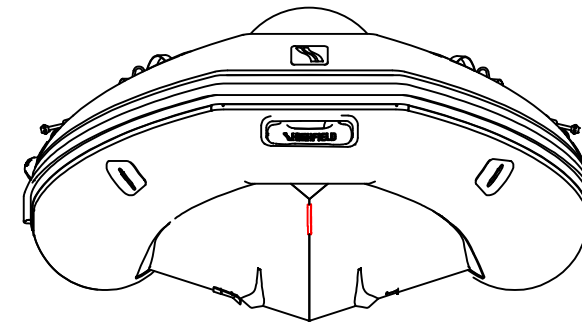
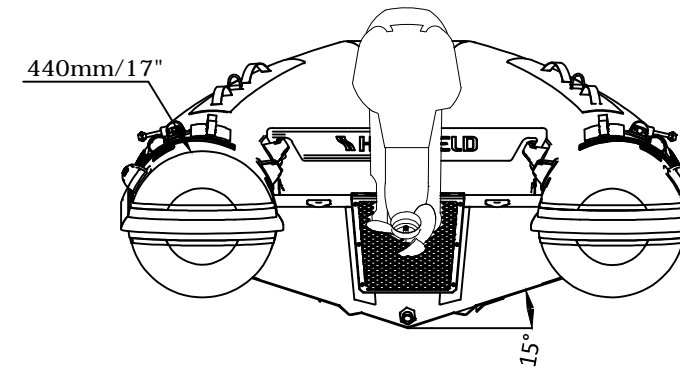
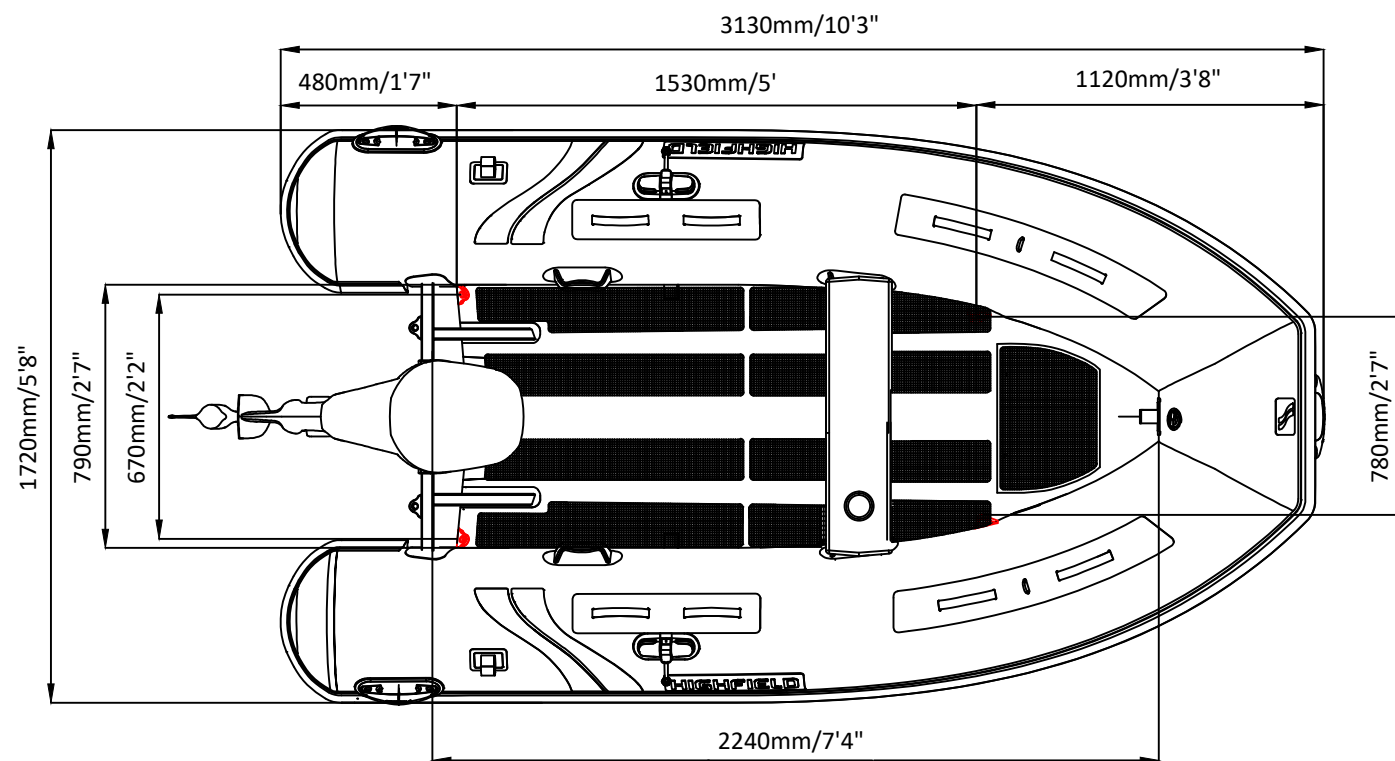
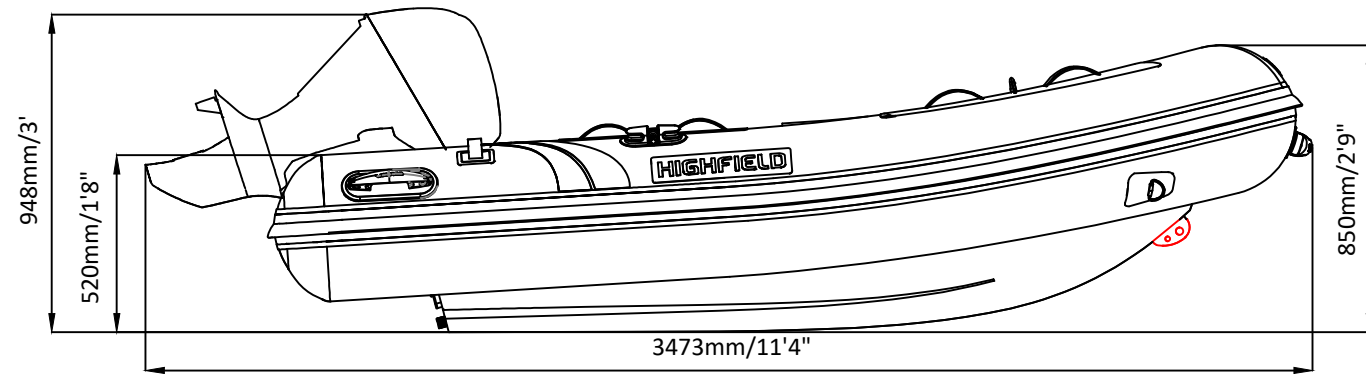
TRANSVERSAL SECTION "C"

	UL310 CHOCK		DWN: TYJ
			APPROVED: LXL
info@highfieldboats.com	DWG:	SCALE:	DATE: 2019-09-17

(C) Copyright reserved. No unauthorized use allowed.
 All intellect - ideas - concepts remain the property of Highfield Boats

ULTRALITE 310

SPECIFICATIONS



SPECIFICATIONS AND MAXIMUM CAPACITIES (Subject to change without notice.Tolerances:Dimensions ±2.5% Weight ±5%)

MODEL	ISO 6185 PART	ISO 6185					Outboard Engine		Molded seat		Oars		/		Fuel tank Capacity		Wet Weight (Approximate) 15HP (11.19KW) +Fuel		AIR CHAMBERS								
			KG	LB	#	KG	LB	Shaft	Max power		Max weight		KG	LB	KG	LB	KG	LB	L	GAL	KG	LB	PSI	BAR			
									KW	HP	KG	LB															
UL310	2	C	585	1290	5	375	827	S	11.19	15	60	132	50	110	3	6.6	1.5	3.3	/	/	/	/	130	287	3	3.63	0.25

Weight: boat only.