

# Marine Built-In Cooling Boxes

*High installation flexibility, optimised use of free space on board*



## Highly flexible cooling boxes installations

Indel Webasto Marine Built-In boxes allow an optimised use of space on board thanks to the top-loading access to the interior. They are extremely flexible in size and design to cope with special installation requirements.

## The Indel Webasto Marine advantages:

- Easy access to food and drinks from the top
- Numerous installation opportunities
- Extremely space-saving
- Customised solutions of the top lid for a perfectly adapted design



- 1 12/24 V Danfoss compressor
- 2 Plastic or stainless steel inside lining to avoid any damage even after contact with salt water
- 3 Roller slides available for BI 29
- 4 Evaporator integrated in the foam allows easy cleaning (except BI 40)
- 5 Customisable top



## Product Overview: Marine Built-In cooling Boxes

Type	Volume (l)	Dimensions H x W x D (mm) <sup>1</sup>	Available with ASU	Water cooled option	Weight (kg)	Power consumption* W/24 hours	Danfoss Compressor Type
BI 29 F**	29	370 x 340 x 670 <sup>1</sup>		X	18	250	BD35F
BI 40	40	420 x 405 x 560 <sup>1</sup>	X	X	16	270	BD35F
BI 41	41	625 x 340 x 500 <sup>2</sup>		X	19	270	BD35F
BI 53 F**	53	630 x 430 x 650 <sup>2</sup>		X	24	260	BD50F
BI 55	55	660 x 360 x 650 <sup>2</sup>		X	22	280	BD35F
BI 75**	75	630 x 430 x 650 <sup>2</sup>		X	22	340	BD35F
BI92***	92	615 x 485 x 805 <sup>2</sup>		X	28	360	BD50F

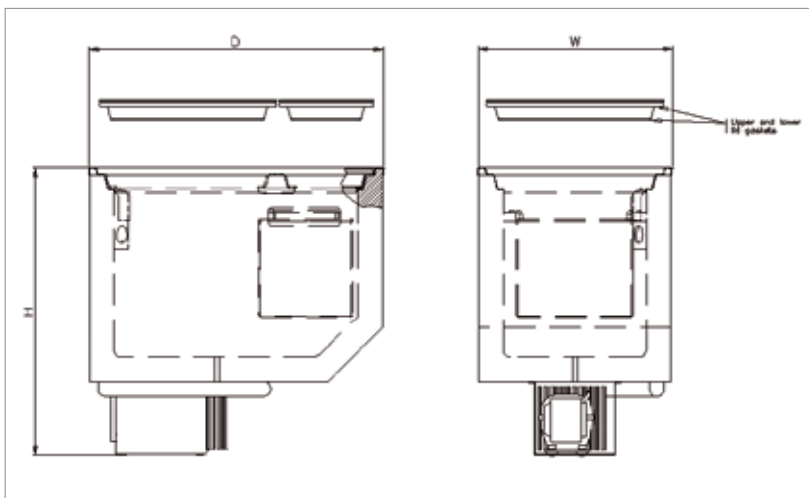
\* Power consumption in operation in 12 volt with +6°C in the refrigeration space, ambient temperature +22°C. Average Amp draw will be reduced by approx. 30% for ASU models when motoring one hour a day.

\*\* External flange in stainless steel optional available,

\*\*\* The built-in box operates as a fridge or freezer

<sup>1</sup> Depth can be reduced by 160 mm with removed compressor. <sup>2</sup> Height can be reduced 160 mm with removed compressor.

Cut out dimensions: H+5 mm; W+5 mm; D+5 mm. Specification changes may be made without prior notice.



Advice · Installation · Service