

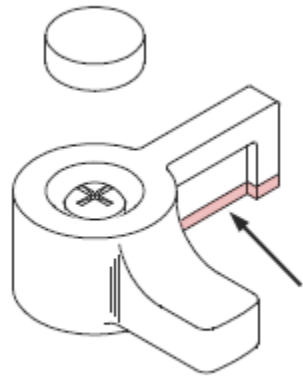
Lewmar Old Standard Portlights



Measure the portlight frame X-Y dimensions from exterior of boat.

When installing CloZures on Lewmar Old Style Standard Portlights, the rotating latches will need to be replaced with new latches. These latches have been machined to accommodate for the thickness of the new shutters. Installation instructions are included. Note the number of rotating latches (RL) in the Latches-Hinges column.

There is a \$7.00 refundable deposit PER LATCH. Obtain your refund by returning the original latches to Zarcor in the included addressed, postage paid envelope.



3/16" (5mm) removed to allow for the thickness of the shutter.

Lewmar Old Standard Portlights

Model	Outside Frame X-Y Dimension	Latches Hinges	Lewmar SKU	CloZures Part #	CloZures/Glass A-B Dimension
size 0	12 ³ / ₄ × 6 ¹⁵ / ₁₆ (325mm × 177mm)	2-RL 2-H		P143	10 ¹ / ₂ × 4 ³ / ₈ (267mm × 111mm)
size 1	14 ¹ / ₂ × 7 ⁵ / ₈ (369mm × 193mm)	2-RL 2-H		P146	12 ¹ / ₈ × 5 ¹ / ₈ (308mm × 130mm)
size 2	16 ¹³ / ₁₆ × 6 ¹⁵ / ₁₆ (427mm × 177mm)	2-RL 3-H		P144	14 ¹ / ₂ × 4 ¹ / ₂ (368mm × 114mm)
size 3	17 ³ / ₄ × 7 ⁵ / ₈ (451mm × 193mm)	2-RL 3-H		P2687	15 ¹ / ₄ × 5 ¹ / ₄ (387mm × 133mm)
size 4	25 ⁹ / ₁₆ × 7 ⁵ / ₈ (649mm × 193mm)	4-RL 4-H		P245	23 ¹ / ₈ × 5 (587mm × 127mm)
size 4L	27 ¹⁵ / ₁₆ × 7 ⁵ / ₈ (710mm × 193mm)	5-RL 4-H			
size 4R	27 ¹⁵ / ₁₆ × 7 ⁵ / ₈ (710mm × 193mm)	5-RL 4-H			
size 5	17 ³ / ₄ × 10 ¹ / ₂ (451mm × 266mm)	4-RL 3-H		H190	15 ¹ / ₄ × 7 ³ / ₄ (387mm × 197mm)