

Lewmar LFX Anchor

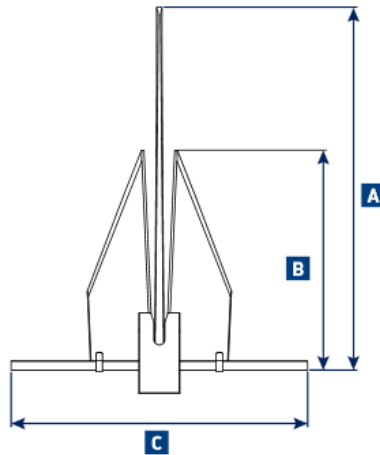
Selection guide

ANCHOR WEIGHT		BOAT LENGTH OVERALL					
KG	LB	5 M 16 FT	8 M 28 FT	10 M 33 FT	12 M 39 FT	14 M 46 FT	16 M 52 FT
2	4						
3.2	7						
4.5	10						
7	15						
10	21						

Lighter shading represents the upper limit of model. If in doubt, move up a model.

This information is for guidance only, please consult the relevant Classification Society for specific certification requirements.

Dimensions Diagram



LFX Anchor Specifications

PART NUMBER	BAG PART NUMBER	ANCHOR WEIGHT		RECOMMENDED CHAIN SIZE		A		B		C	
		KG	LB	MM	IN	MM	IN	MM	IN	MM	IN
0058102	0058302	2	4	6	1/4	594	23 6/16	357	14 1/16	471	18 4/8
0058103	0058303	3.2	7	6 TO 7	1/4	672	26 7/16	407	16	550	21 5/8
0058105	0058305	4.5	10	8	5/16	769	30 5/16	457	18	629	24 9/36
0058107	0058307	7	15	10	3/8	886	34 14/16	526	20 11/16	727	28 5/8
0058110	0058310	10	21	10	3/8	993	39 2/16	606	23 13/16	796	31 3/8

Dimensions subject to +/- 2% tolerance