



# Magnetically Coupled Centrifugal Pumps

CAPACITIES OF 10, 13 & 21 GPM

**Magnetically Coupled Centrifugal Pumps for applications requiring safe, leak-free, continuous duty pumping.**

Designed specifically for marine & industrial markets. Typical applications include marine air conditioner circulation, ice makers, hot water circulation, livewell or bait tank installations.



## Features:

- Pumphead manufactured in chemical resistant thermo-plastics entirely non-metallic
- Magnetic couplings provide an energy efficient thermal shield, minimizing heat transfer to the pumped fluid
- IPX5 standard motor housing
- Deep groove ball bearings
- EPDM o-ring
- Polypropylene (PP) encapsulated magnet
- Polypropylene (PP) housing
- PPS spindle housing
- Alumina ceramic spindle



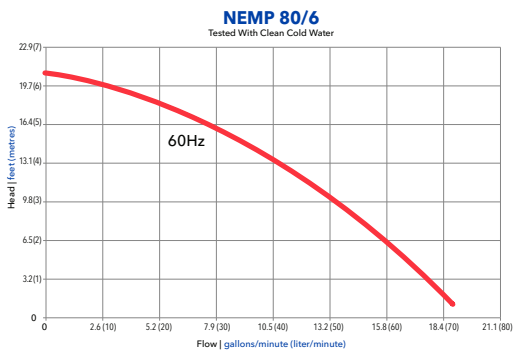
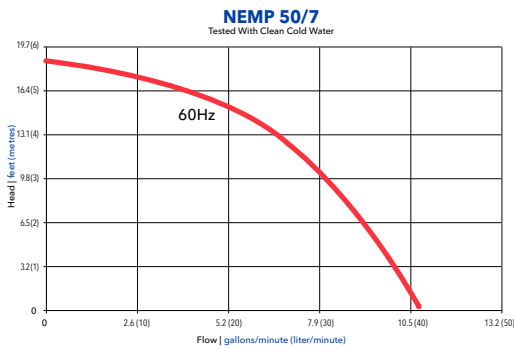
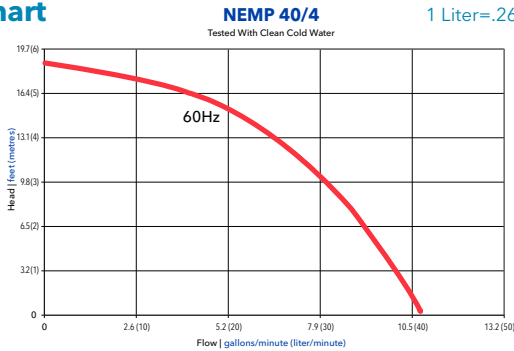
a xylem brand

# Magnetically Coupled Centrifugal Pumps

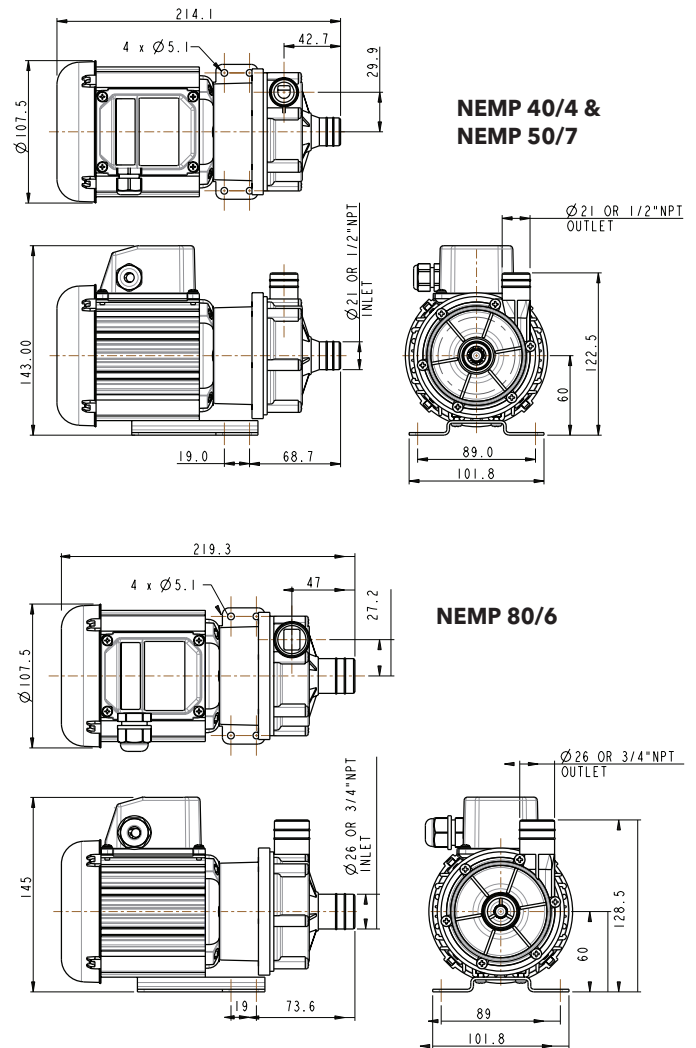
## Technical Specifications

Jabsco P/N	Model	Overall Height (mm) inch"	Overall length (mm) inch"	Overall width (mm) inch"	Ports	Weight (Kg) lbs.	Voltage (AC) 60Hz	Closed Valve Head (m) ft'	UPC Codes	Run out flow rate (l/min) g/min	Fuse	Motor output (W)	Current (AMPS)
436977	NEMP 40/4	(143) 5.62"	(214) 8.4"	(102) 4.0"	1/2" NPT	(2.7) 5.95	110	(4.4) 14'	671880623148	(40) 10.5	1.0A	30	0.75A
436979	NEMP 50/7	(143) 5.62"	(214) 8.4"	(102) 4.0"	1/2" NPT	(3.0) 6.61	110	(6.0) 19'	671880624275	(50) 13.2	1.0A	60	0.95A
436981	NEMP 80/6	(143) 5.62"	(220) 8.6"	(102) 4.0"	3/4" NPT	(3.1) 6.83	110	(5.6) 18'	671880624299	(80) 21	1.5A	60	1.4A

## Flow Chart



## Dimensional (mm)



**xylem**  
Let's Solve Water

Xylem, Inc.  
USA  
100 Cummings Center  
Ste. 535-N  
Beverly, MA 01915  
Tel: +1 978 281 0440  
Fax: +1 978 283 2619

Xylem, Inc.  
ENGLAND  
Bingley Road, Hoddesdon  
Hertfordshire EN11 0BU  
Tel: +44 (0) 1992 450145  
Fax: +44 (0) 1992 467132

Xylem, Inc.  
CHINA  
30/F Tower A  
100 Zunyi Road  
Shanghai, China 200051  
Tel: +86-21-2208-2888  
Fax: +86-21-2208-2999

Xylem, Inc.  
GERMANY  
Oststrasse 28  
22844 Norderstedt  
Tel: +49-40-53 53 73-0  
Fax: +49-40-53 53 73-11

Xylem, Inc.  
ITALY  
Via Tommaseo, 6  
20059 Vimercate, Milano  
Tel: +39 039 685 2323  
Fax: +39 039 666 307