



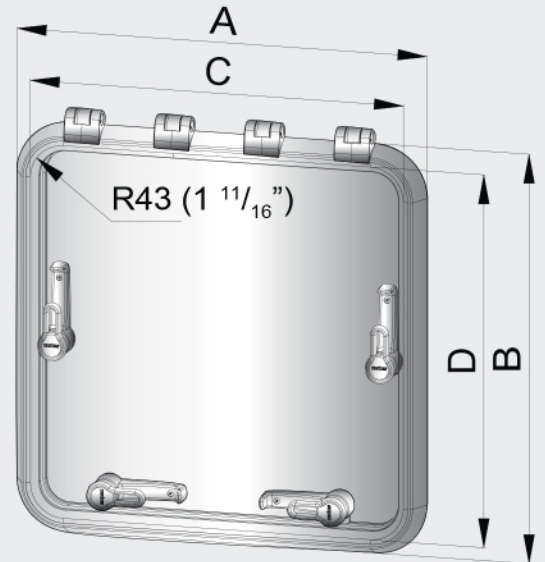
MAGNUS is a range of extra heavy duty hatches. They are CE classified: A1, which means to say that they are designed for ocean use and can be fitted in any part of the hull or deck. These hatches are provided with friction hinges, which will keep the hatch open in any position, without the need for stays. The hatch can be opened through 180° and there are virtually no obstructions in the hatch opening. Like other VETUS hatches, the MAGNUS range can be opened from inside or outside the boat. They can also be left locked; either completely watertight or in a ventilation position.

The frame profile is satin sheen anodized. The acrylic has a thickness of 10 mm (3/8") and the colour is "dark smoke".

The build-in dimensions (the cut-out sizes) of the Magnus hatches are in conformity with those that are current in the market.

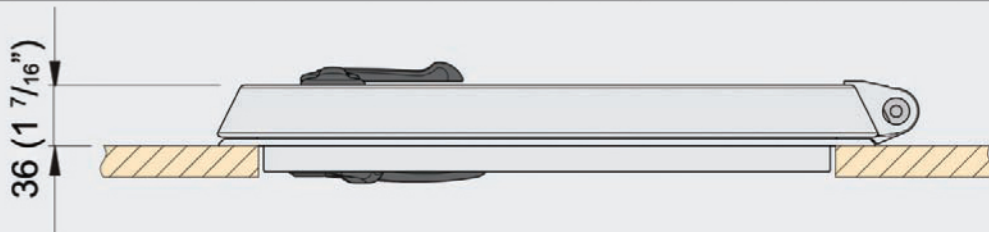


MAG



CE classified: A1

External dimensions in mm (inches)	Escape hatches			Hatches			Ventilation hatches
	MAG6363S	MAG5151S	MAG4747S	MAG4242S	MAG5038S	MAG4633S	MAG2626S
A x B	679 (26 ¹² / ₁₆ "") x 679 (26 ¹² / ₁₆ "")	563 (22 ³ / ₁₆ "") x 563 (22 ³ / ₁₆ "")	522 (20 ⁹ / ₁₆ "") x 522 (20 ⁹ / ₁₆ "")	474 (18 ¹¹ / ₁₆ "") x 474 (18 ¹¹ / ₁₆ "")	559 (22") x 429 (16 ⁴ / ₁₆ "")	509 (20 ¹ / ₁₆ "") x 379 (14 ¹⁵ / ₁₆ "")	312 (12 ⁵ / ₁₆ "") x 312 (12 ⁵ / ₁₆ "")
Cut-out dimensions in mm (inches)							
C x D	627 (24 ¹¹ / ₁₆ "") x 627 (24 ¹¹ / ₁₆ "")	507 (19 ¹⁵ / ₁₆ "") x 507 (19 ¹⁵ / ₁₆ "")	470 (19 ¹⁵ / ₁₆ "") x 470 (19 ¹⁵ / ₁₆ "")	421 (16 ⁹ / ₁₆ "") x 421 (16 ⁹ / ₁₆ "")	507 (19 ¹⁵ / ₁₆ "") x 377 (14 ¹³ / ₁₆ "")	457 (18") x 327 (12 ¹⁴ / ₁₆ "")	260 (10 ¹ / ₄ "") x 260 (10 ¹ / ₄ "")



CLOSED

OPEN

Handles

VETUS hatch handles have a number of advantages.

- The hatch can be opened from either **inside** or **outside**.
- The hatch can be shut completely watertight, or secured with a small air gap to allow permanent ventilation.
- An internal locking mechanism ensures the hatch cannot be opened from outside when the boat is left unattended. This operates in both the closed or ventilation positions.
- The low external profile ensures that ropes, e.g. running rigging on sailing boats, cannot foul on the handles.