



WARNING

- CAREFULLY READ THIS MANUAL BEFORE OPERATING YOUR BOAT.
- THIS OWNER'S MANUAL IS IN TWO VOLUMES THAT MUST BE KEPT TOGETHER.

NOTICE:

THE OWNER'S MANUAL IS IN TWO VOLUMES:

- VOLUME 1

DEALS WITH OPERATING PRECAUTIONS AND SAFETY RECOMMENDATIONS THAT MUST BE OBSERVED.

- VOLUME 2

DEALS WITH TECHNICAL SPECIFICATIONS AND ASSEMBLY PROCEDURE OF THE BOAT AND ITS EQUIPMENT.

**E
N
G
L
I
S
H**

VOLUME 2

TECHNICAL SPECIFICATIONS - ASSEMBLY PROCEDURE

ZODIAC

Cadet Compact

250 – 300

CONTENTS


	Page		Page
⇒ Assembly procedure	2	⇒ Pressure	5
⇒ Check on unpacking	2	⇒ Assembly of equipment	6
⇒ Inflation system	3	⇒ Bailer and plug	7
⇒ Inflation	4	⇒ Deflating – folding the boat	7
		⇒ General description	I - IV

ASSEMBLY PROCEDURE

We recommend that you follow the specific order of the assembly procedure. Proceed step by step and refer to the corresponding pages.

PROCEDURE	PAGE	SECTION
1. inventory the elements composing your boat, and learn how to recognise them	2	CHECK ON UNPACKING
	I – IV	DESCRIPTION
2. activate valves into inflating position	3	INFLATION SYSTEM
3. Install the seat	6	ASSEMBLY OF EQUIPMENT
4. inflate the boat to the correct pressure	4 / 5	INFLATION / PRESSURE
5. Install the oars	6	ASSEMBLY OF EQUIPMENT

CHECK ON UNPACKING

 CAUTION	DO NOT USE A SHARP TOOL
--	--------------------------------

The pack must contain: 1 buoyancy tube +

ZODIAC Cadet Compact	250	300
Fiberglass hull	X	X
Repair kit	X	X
Owner's manual *	X	X

Standard equipment		
Reinforced aluminium oars	2	2
Removable wooden seat	1	1
Foot-pump	1	1
Carry Cover	1	1

* 2 volumes

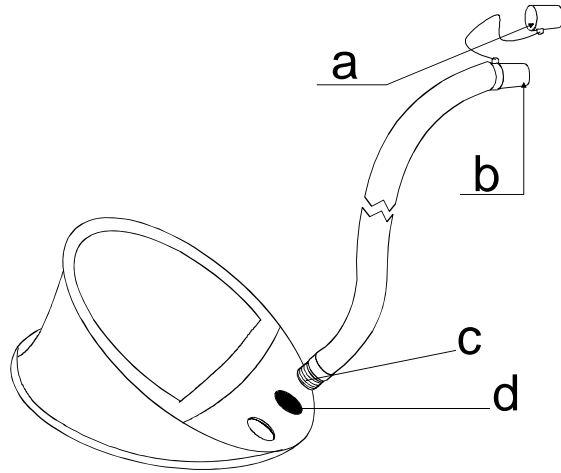
You can equip your boat with many optional accessories (transportation wheels, boarding ladder, lifting rings etc.). Ask your dealer to advise you.

INFLATION SYSTEM

The inflation system is composed of:

THE FOOT PUMP

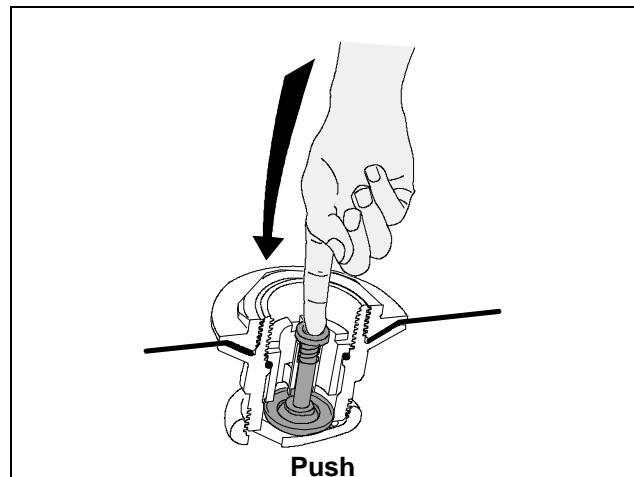
- a. connecting tip
- b. hose end piece
- c. hose base
- d. outlet for inflation



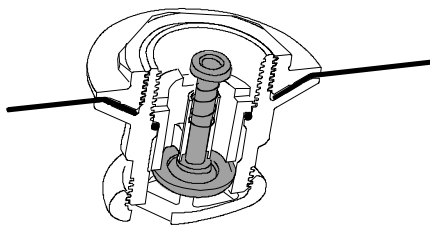
ENGLISH

THE "EASY-PUSH" VALVES

To change position:

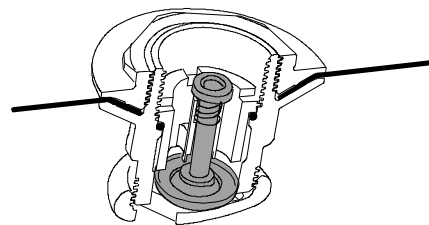


Inflation position



The membrane is closed, the knob is up

Deflation position



The membrane is open, the knob is down

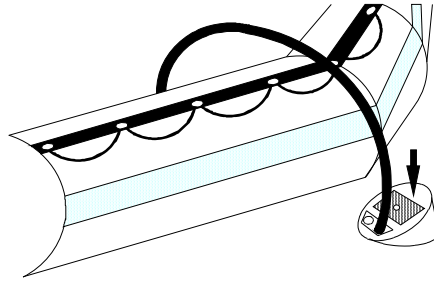
NOTICE:

TO SCREW OR UNSCREW THE VALVE CAPS, TURN. WITHOUT PRESSING OR FORCING (THIS COULD UNSCREW THE INNER VALVE SYSTEM).

INFLATION

Activate all valves into inflation position.

Fit the hose to the foot-pump.
To inflate your boat properly, the bottom side of the foot-pump must rest on a flat ground.
Pump evenly to inflate rapidly.


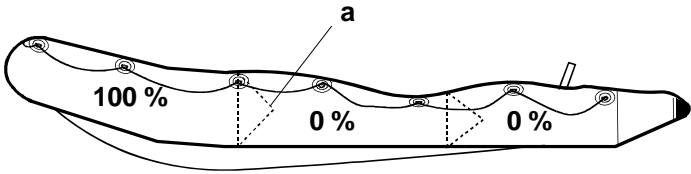



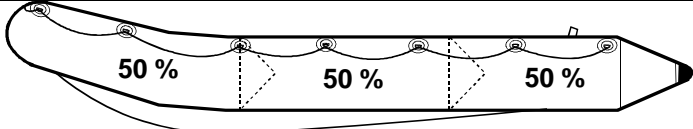
 CAUTION	<p>DO NOT USE A COMPRESSOR OR A BOTTLE OF COMPRESSED AIR</p>
---	---


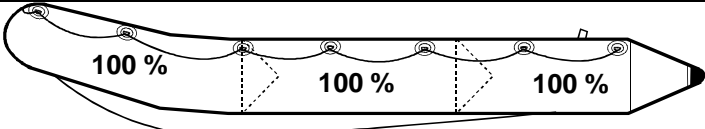
You can use the electrical air pump *ACCESS* (ask your Dealer).

TO INFLATE THE MAIN BUOYANCY TUBE

- Insert the pump hose end piece (add the correct connecting tip for the semi-recessed valve)
- Inflate (**pressure = 240 mb (3.4 PSI)**, refer to **PRESSURE** section) making sure that each compartment is equal. When correctly inflated, the internal bulkheads (a) are not visible.

	<p>NEVER COMPLETELY INFLATE A COMPARTMENT TO FULL PRESSURE IF OTHER COMPARTMENTS ARE TOTALLY DEFLATED</p>	
---	--	--

	<p>1</p>	
---	----------	--

	<p>2</p>	
---	----------	--

Inflation is over: fit the valve caps tight (clockwise).

<p>NOTICE :</p>	<p>A slight air-leak before screwing the valve caps is normal. ONLY THE VALVE CAPS CAN ENSURE FINAL AIR TIGHTNESS.</p>
------------------------	---

PRESSURE

The correct pressure for the buoyancy tube is 240 mb/3,4 PSI (green area of the pressure indicator).

If your boat is not equipped with a **ACCESS** pressure indicator, we recommend that you purchase one from your Dealer. This will permit a quick and efficient control of the pressure during inflation. Without a pressure indicator, stop inflating when the foot-pump gets difficult to operate, and the boat is « hard » (you should not be able to bend the cone ends).

Ambient temperature of air and water have an effect on the boat's internal pressure

Ambient temperature	tubes' internal pressure
+1°C / +1,8°F	+4 mb / 0,06 PSI
-1°C / -1,8°F	-4 mb / 0,06 PSI

Therefore, it is important to anticipate:

Because of temperature variations (especially when this variation is important between the beginning and the end of the day, in hot areas) check and adjust the pressure in the inflated compartments by inflating or deflating. Be sure that pressure remains within the recommended zone, between 220 mb/3,10 PSI and 270 mb/3,85 PSI (green area).

RISK OF UNDERPRESSURE

EXAMPLE: Your boat is in direct sunlight on the beach (temperature =50°C/122°F) at recommended pressure (240 mb/3,4 PSI). after putting it in the colder water (temperature =20°C/68°F), the internal temperature and pressure of the tubes will both drop (up to 120 mb/1,7 PSI) and **YOU WILL HAVE TO INFLATE AGAIN** until you regain the lost pressure due to the difference in temperatures. Therefore, a loss of pressure at the end of the day when ambient temperature drops is perfectly normal.

RISK OF OVERPRESSURE

EXAMPLE: Your boat is inflated to the recommended pressure (240 mb/3,4 PSI) at the beginning of the day (low ambient temperature =10°C/50°F). Later in the day, your boat is in direct sunlight on the beach or on a yacht's deck (temperature =50°C/122°F). Internal temperature of all inflated compartments can then increase and reach up to 70°C/158°F (especially for dark-coloured tubes). The consequence will be a doubling of previous pressure (480 mb/6,8 PSI). **YOU WILL THEN HAVE TO DEFLATE** until you reach the recommended pressure.

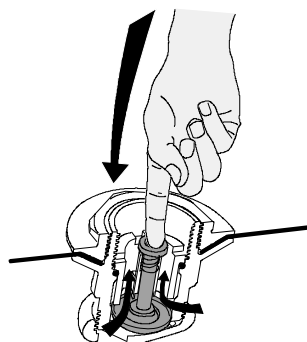


WARNING

WHEN YOUR BOAT IS OVER INFLATED, PRESSURE BECOMES TOO STRONG FOR THE INFLATABLE STRUCTURE, AND COULD CAUSE A BREAK IN THE FABRIC ASSEMBLY

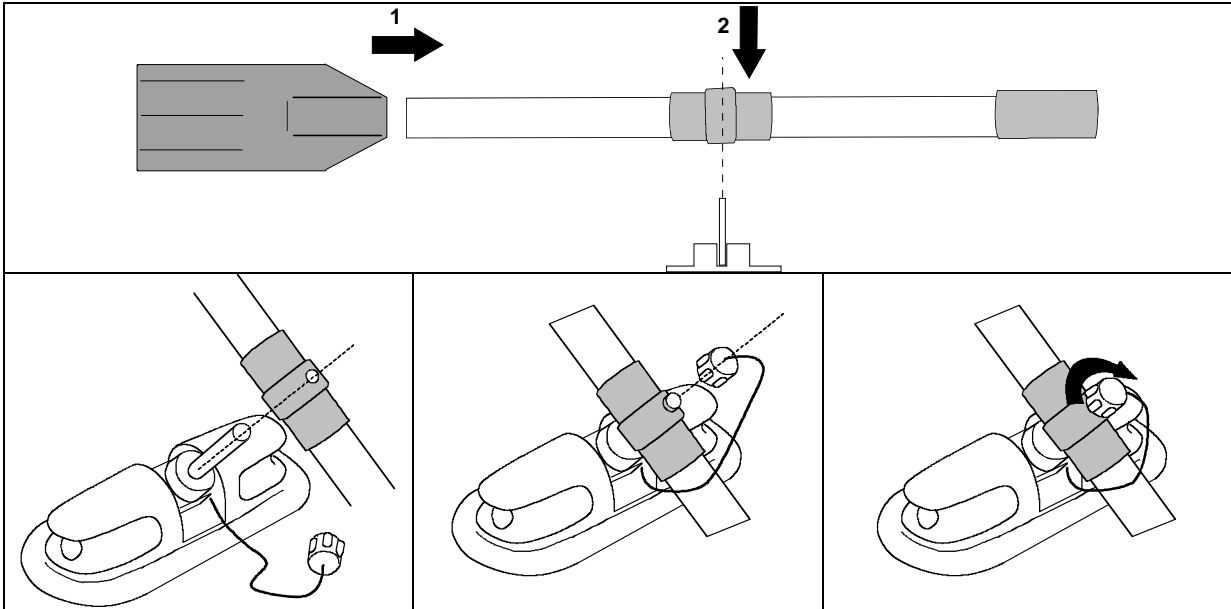
IN CASE OF OVERPRESSURE

“EASY-PUSH” VALVE :
deflate by pressing the spring loaded button.



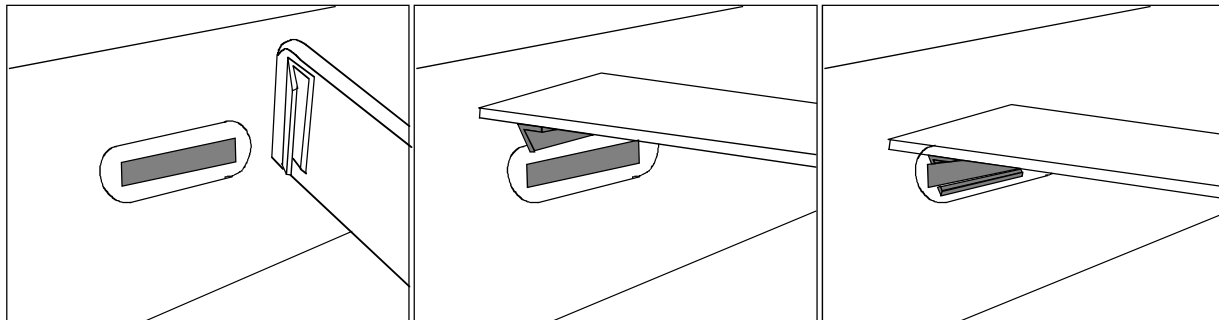
ASSEMBLY OF STANDARD EQUIPMENT

THE OARS:



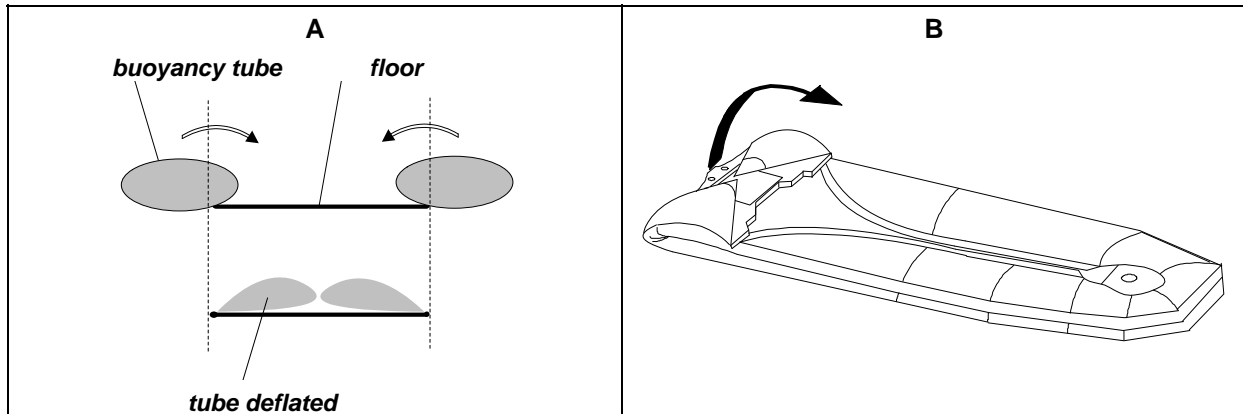
THE REMOVABLE SEAT

Install the seat before the boat is totally inflated.



DEFLATING / FOLDING THE BOAT

1. **Deflate** the boat
2. **Replace** the valve protections.
3. **Remove** oars and equipment.
4. **Empty** the boat of all water and sand by opening the self-bailers, dry it.
5. **Fold in** the 2 sides of the main buoyancy tube (A). Fold the tubes over the hull and fold the cones onto the transom (B).



6. **Place** oars and foot pump inside of boat.
7. **Pull** the transom down and put your boat into the cover.

