

ATLANTES FREEDOM™ TOILET VORTEX-VAC™

Installation and Maintenance Instructions

MODELAV

THE FOLLOWING ARE CAUTIONARY STATEMENTS THAT MUST BE READ AND FOLLOWED DURING BOTH INSTALLATION AND OPERATION.

WARNING: *Raritan Engineering Company, Inc. recommends that a qualified person or electrician install this product. Equipment damage, injury to personnel or death could result from improper installation. Raritan Engineering Company, Inc. accepts no responsibility or liability for damage to equipment, injury or death to personnel that may result from improper installation or operation of this product.*



WARNING: HAZARD OF SHOCK OR FIRE

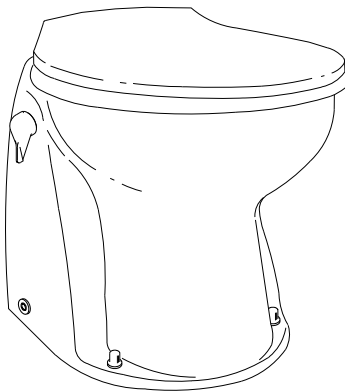
Always use recommended fuse, circuit breaker and wire size.



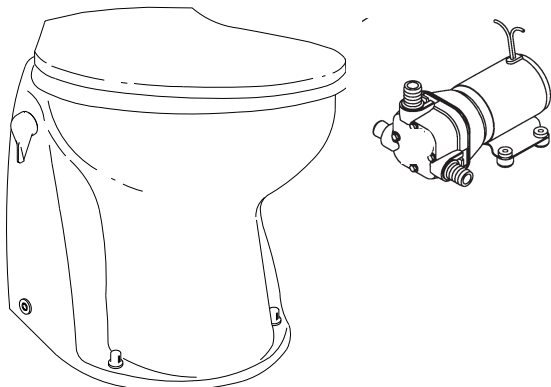
Motors used with this product are "Ignition Protected". They are not however, explosion-proof as defined in 46CFR 110.15-65(e), Subchapter J-Electrical Engineering.

DO NOT run continuously for more than 30 seconds.

Pressurized Freshwater Model



Sea Water Model (Remote Pump)



Description:

Atlantes Freedom Vortex-Vac toilet is available in 12V or 24V DC. Bowls are available in two bowl style: household and elongated size bowl. Both models are available in two color choice: White and Almond(bone). Fresh water model utilizes onboard pressurized freshwater and sea water model utilizes a remote pump installed between raw water source and bowl.

Sea/Fresh model allows switching between fresh and raw water source.

Three different control options are available

1. **Momentary Handle Control:** provides momentary operation of flush water and discharge.
2. **Smart Toilet Control:** provides timed operation and independent control of flush water and discharge with handle or wall switch.
2. **Multifunction Momentary (Vimar) Toilet Control:** provides momentary operation and independent momentary control of flush water and discharge

IMPORTANT SAFETY INSTRUCTIONS:

WARNING: **HAZARD OF FLOODING** - Always shut off seacock(s) before leaving the boat unattended. Double clamp all below waterline hose fittings and check frequently for integrity.



Toilets mounted at or below the waterline must have a vented loop installed in the discharge line. The top of the vented loop must be a minimum of 4" (10cm) above the waterline at the boats greatest angle of heel (see vented loop manufacturer's instructions).

Sea Water Models must also have a vented loop installed between the intake pump and the toilet bowl.

Double clamp all below waterline connections.

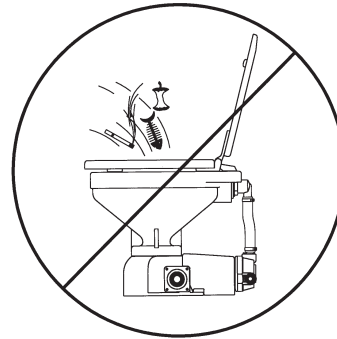
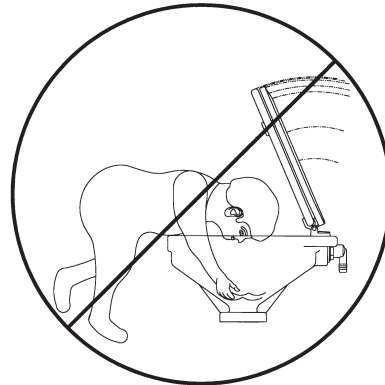
WARNING:

Young children should NOT be left unsupervised around toilet. Serious injury or death could occur.

Children can drown in water retained in th bowl.

Seat and/or lid could close and strike child.

Always replace circuit breaker and fuses with same rating . Use Raritan parts to maintain ignition protection requirements.



Recommended Visual Inspection

- ✓ For leaks at toilet and hose connections
- ✓ Hose clamps
- ✓ Condition of hoses
- ✓ Seacocks
- ✓ Condition of wires and connections
- ✓ In-Line Strainer (if you have one)

- No special toilet paper is required.
- Water should appear in the bowl within ten seconds. If not, see troubleshooting section.
- Hard objects or stringy substances (paper towels, feminine hygiene products, filter cigarettes, etc.) must not be thrown into the toilet as they will cause damage.
- Always shut off seacock(s) before leaving the boat unattended.

Operation:

Please see instructions included with control to see how to operate your unit

Winterizing:

- Improper winter lay up is a major cause of marine toilet failure.
- Use only nontoxic antifreeze.
- Flush toilet several times to clear waste from system.
- Dispose of all antifreeze in accordance with local and federal regulations.
- Winterize holding tanks, plumbing, treatment systems (MSD's), etc. independently following manufacturer's instructions.

Pressurized Freshwater Models

Parts Required

- 1" (25 mm.) or 1 1/2" (38 mm.) I.D. discharge hose, approximately 3 feet (1 m.) long
- Two buckets
- Nontoxic antifreeze approximately 1 quart (1 liter)

Steps

1. Close discharge seacock (if one exists).
2. Shut off intake water at source.
3. Turn off power to unit.
4. Disconnect and drain intake and discharge hose.
5. Disconnect intake hoses from toilet and place in one of the buckets.
6. Connect short hose to toilet's discharge and place in other bucket.
7. Pour antifreeze in bowl.
8. Turn on power to unit and flush until antifreeze is removed from the bowl and water is drained from the solenoid and hose.
9. Disconnect power to toilet.
10. Reconnect intake hoses to water solenoid

Intake Pump Models

Parts Required

- 3/4" (19 mm.) I.D. intake hose approximately 3 feet (1 m.) long.
- 1" (25 mm.) or 1 1/2" (38 mm.) I.D. discharge hose approximately 3 feet (1 m.) long.
- Two buckets
- Nontoxic antifreeze approximately 1 quart (1 liter)

Steps

1. Close the intake and discharge seacocks.
2. Turn off power to unit.
3. Disconnect and drain pump suction hose and toilet discharge hose .
4. Connect short hoses to pump's suction intake and to toilet discharge.
5. Place one empty bucket under hose connected to toilet's discharge.
6. Pour nontoxic antifreeze in other bucket.
7. Place hose connected to intake pump into bucket with antifreeze.
8. Turn on power to unit and flush toilet until antifreeze begins to be discharged from toilet.
9. Disconnect power from toilet.

RECOMMISSIONING

1. Using the buckets, hoses and approximately one gallon (3.8 liters) of clean fresh water, flush antifreeze out of the toilet (see Winterizing). Dispose of antifreeze in accordance with local and federal regulations.
2. Reconnect the intake and discharge hoses and open both seacocks and water source valve.
3. Check all connections for leaks with several test flushes.

SYSTEM START-UP

1. Open seacock(s).

NOTE: Pressurized freshwater models; open water source valve.

2. Turn on power to toilet.
3. Flush toilet per Operation Instructions.
4. Check for leaks.

IMPORTANT: If toilet does not flush properly or if water does not enter the bowl within 10 seconds, refer to Troubleshooting.

SPECIFICATIONS

Plumbing

Maximum suction of Intake pump (Maximum height above waterline)	4 Ft. (1.2m) from Intake Pump.
Maximum height of discharge vented loop	10 Ft. (3 m) from base of toilet.
Pressurized water source minimum requirements	Minimum fLow rate 3 gallons (11.3 liters)per minutes, Minimum Pressure 5 PSI(34.5 Kpa)

NOTES: for Wiring

1.	Distances are from source to unit and back to source.
2.	Distance from power source to remote intake pump MUST be included when determining total distance.Same wire size MUST be used for lower base and remote intake pump.
3.	Recommended conductor wire minimum AWG (mm ²) for 3% voltage drop.
4.	Recommended conductor sizes are based on 105°C rated insulation. Refer to ABYC Standards for other insulation ratings.
5.	For 120/240 VAC units use 12VDC specifications from transformer to unit.

CONVERSIONS								
Wire - AWG to mm ²								
AWG	16	14	12	10	8	6	4	2
mm ²	1.5	2.5	4.0	6.0	10.0	16.0	25.0	35.0
Feet to Meters								
Feet	10	15	20	25	30	40	50	
Meter	3.1	4.6	6.1	7.6	9.2	12.2	15.2	

Hose Sizes

INLET

1/2"(12.7 mm.) for freshwater model

3/4" (19 mm.) for sea water model

Discharge

1"(25.4 mm.) or 1 1/2"(38 mm.)

Sea Water Model - Recommended Wire and Fuse/Circuit Breaker Size

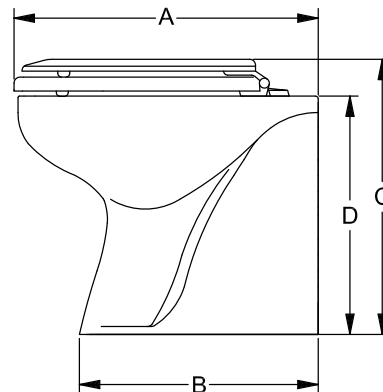
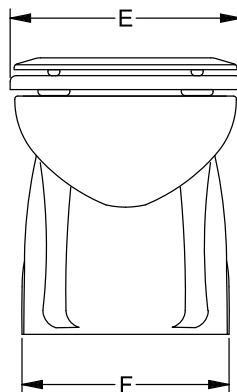
Units Voltage	Circuit Breaker/fuse size (amps)	Discharge pump Amp. draw @ nominal Voltage/	Remote Pump Only Amp. draw @ nominal voltage					
				15 feet	20 feet	30 feet	40 feet	50 feet
12 VDC	30	18	10	10 AWG	8 AWG	6 AWG	6 AWG	4 AWG
24 VDC	20	10	5	14 AWG	14 AWG	12 AWG	10 AWG	10 AWG

Pressurized Freshwater Model - Recommended Wire and Fuse/Circuit Breaker Size

Units Voltage	Circuit Breaker/fuse size (amps)	Amp. draw @ nominal voltage						
			10 feet	15 feet	20 feet	30 feet	40 feet	50 feet
12 VDC	25	18	12 AWG	10 AWG	10 AWG	8 AWG	6 AWG	6 AWG
24 VDC	15	10	14 AWG	12 AWG	10 AWG	10 AWG	8 AWG	6 AWG

WIRING:
FOLLOW THE INSTRUCTIONS INCLUDED WITH CONTROL

Water Consumption:
water saver : 2 pint*
Regular Flush: 2 quarts
* requires timing adjustment



SIZE
See Table next page

Parts included with all models

1. Toilet bowl assembly
2. Mounting hardware
3. Seat
4. One of the following flush controls:
 - a. Flush handle control
 - b. Multifunction Momentary Control(Vimar)
 - c. Smart Toilet Control
5. User guides and Installation guides with labels

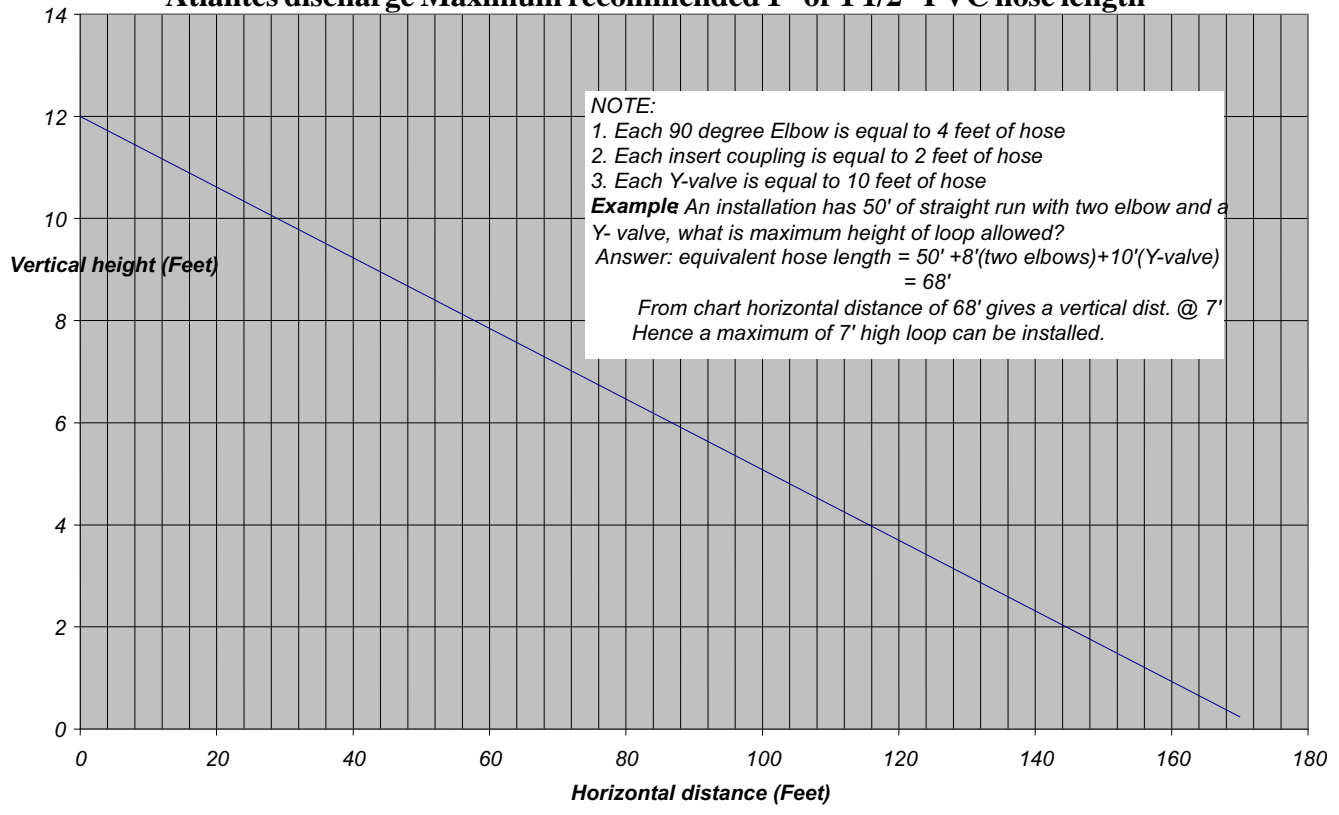
Additional Parts Required

- Two stainless steel mounting bolts or lag screws (minimum 1/4" [6mm]) and washers)
- 1" (25 mm.) or 1 1/2" (38 mm.) I.D. discharge hose
- 3/4" (19 mm.) I.D. reinforced intake hose
- 3/4" (19 mm.) and 1" (25 mm.) or 1 1/2" (38 mm.) hose clamps (two for each connection below waterline)
- Wire
- Terminals
- Fuse/circuit breaker

Additional Parts included with sea water model:

1. Remote pump assy.

Atlantes discharge Maximum recommended 1" or 1 1/2" PVC hose length



SIZE Inches (mm)	Bowl type	A	B	C	D	E	F
	Household	19 1/4 (489)	15 (381)	17 (432)	15 (381)	14 3/8 (355)	14 (355)
Elbngated	21 1/2 (545)	18 1/4 (455)	17 (432)	15 (381)	14 1/8 (359)	14 (355)	

Mounting Toilet

Mounting surface must be flat and solid.

1. Install seat on toilet.
2. Place toilet where it will be located.
Make sure there is room to route hoses.
Make sure seat will open properly.
3. Using a pencil, mark location of bowl mounting holes.
4. A. If hoses will be routed through floor, trace one side of toilet on floor.
 B. If hoses will be routed through wall, trace one side of toilet on wall.
5. Remove toilet and mark location for hoses on deck or wall.
6. Cut necessary holes using enclosed template through wall or floor.
7. Drill holes for toilet mounting bolts/screws.

NOTE: Use 1/4" [6mm] size bolts/screws. To select proper Screw or Bolt length, measure thickness of deck plus 1 1/8" (29mm).

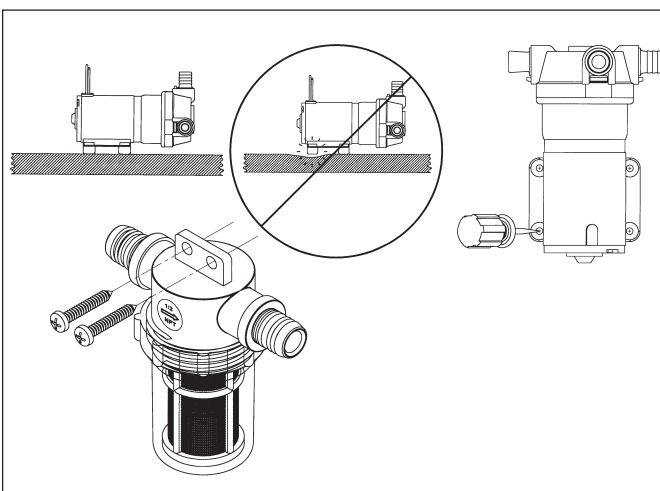
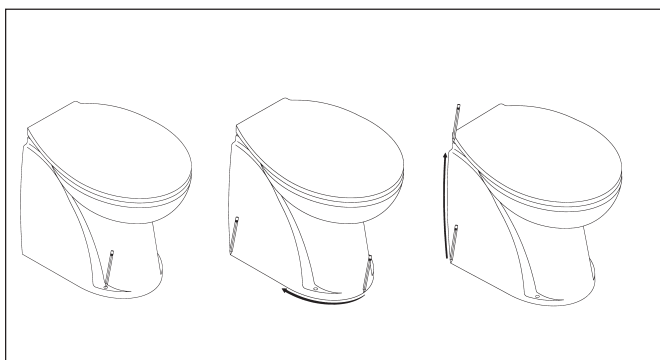
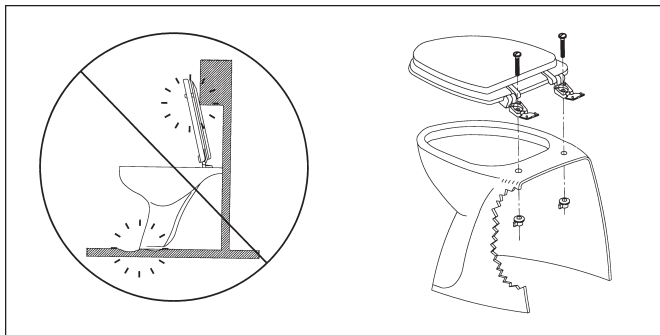
TIP: Do not install until all wiring and plumbing is done. Secure toilet to floor after installation is complete.(see page 9)

CAUTION: Do Not over tighten mounting bolts. Damage to the toilet bowl may occur. Tighten both mounting bolts evenly and slowly.

Mounting Remote Pump:

1. Locate remote pump between thru hull fitting and toilet bowl.
2. Locate in an area away from berth to keep noise level down.
3. Use Inline Strainer part# 163000 (optional) to avoid clogs.
4. Secure remote pump to the floor using four bolts through the pump base.

TO INSTALL HOLDING TANK FULL SENSOR, REFER TO MANUAL WITH HOLDING TANK FULL SENSOR.



PLUMBING

WARNING: Hazard of Flooding

Toilets mounted at or below the waterline must have a vented loop installed in the discharge line. The top of the vented loop must be a minimum of 4" (10 cm.) above the waterline at the boat's greatest angle of heel (see vented loop manufacturer's instructions).

Sea Water Models must also have a vented loop installed between the intake pump and the toilet bowl.

Double clamp all below-waterline connections.

IMPORTANT

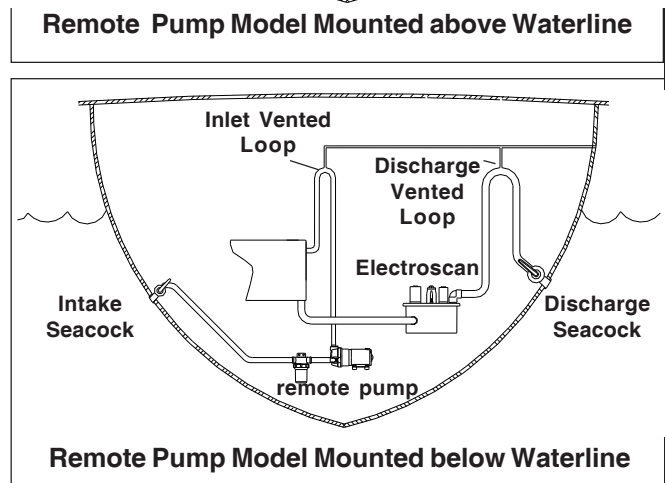
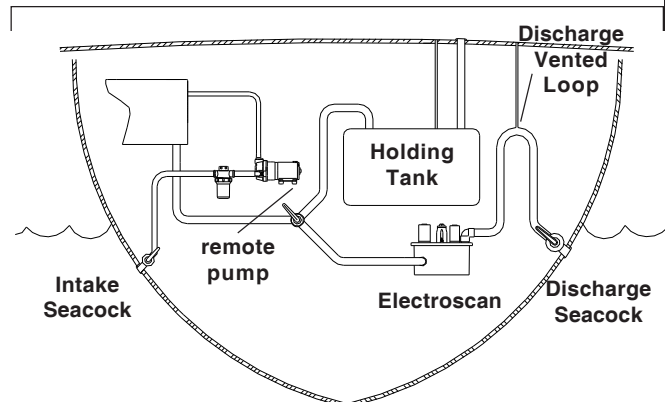
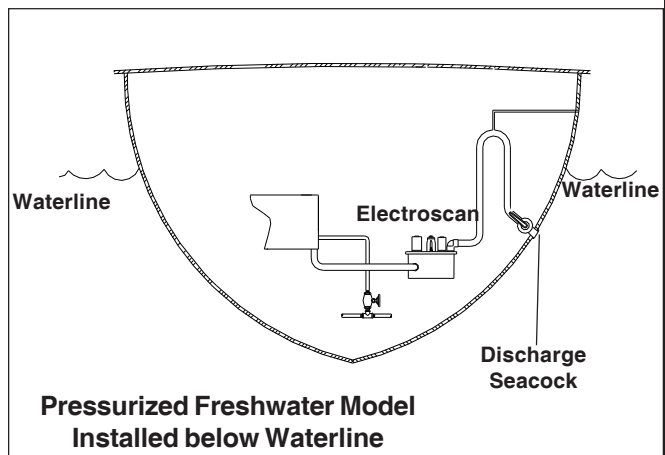
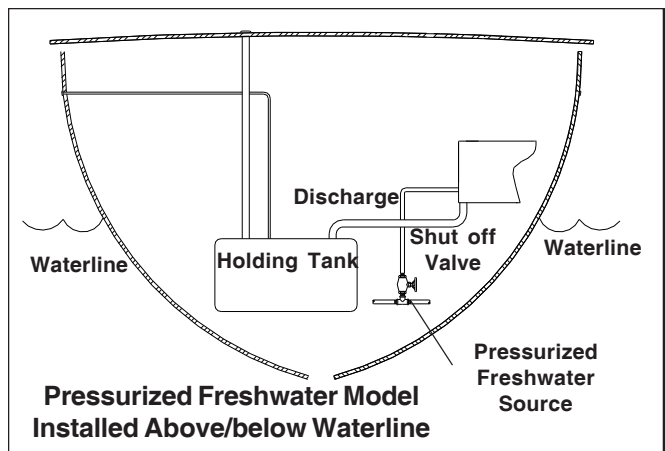
- Fittings and 90° bends should be kept to a minimum.
- In-Line Strainer may be installed on Sea Water Models per Installation Instructions. This will prevent clogs.
- Discharging untreated sewage is forbidden in all U. S. waters within the three-mile limit.
- Thru-hull fittings and seacocks must be installed where they are easily accessible.
- Use only quality reinforced hoses such as Raritan SANIFLEX (part# SFH).
- Secure all hoses properly.

Discharge Lines

1. Connect quality sanitation hose 1" (25 mm.) or 1 1/2" (38 mm.) discharge fitting on toilet.
2. Run hose to appropriate device (i.e.: treatment system, holding tank, etc.).

Inlet lines

1. Connect 1/2" (13 mm.) hose to pressurized supply or 3/4" (19 mm.) hose to remote pump



Intake Lines

Pressurized Freshwater Models

Install a shut off valve in intake line before water solenoid valve.

1. Connect hose from shut off valve to inlet port of water solenoid valve at the toilet.

NOTE: To avoid malfunction of water solenoid due to debris in water, installation of Freshwater Strainer (190601) is recommended.

Remote Sea Water Models

Intake pump fittings are interchangeable to allow more flexibility during installation. Inlet ports are located on either side of intake pump. Outlet port (to toilet bowl) is at top of intake pump.

NOTE: To avoid poor pump performance installation of strainer (163000) is recommended

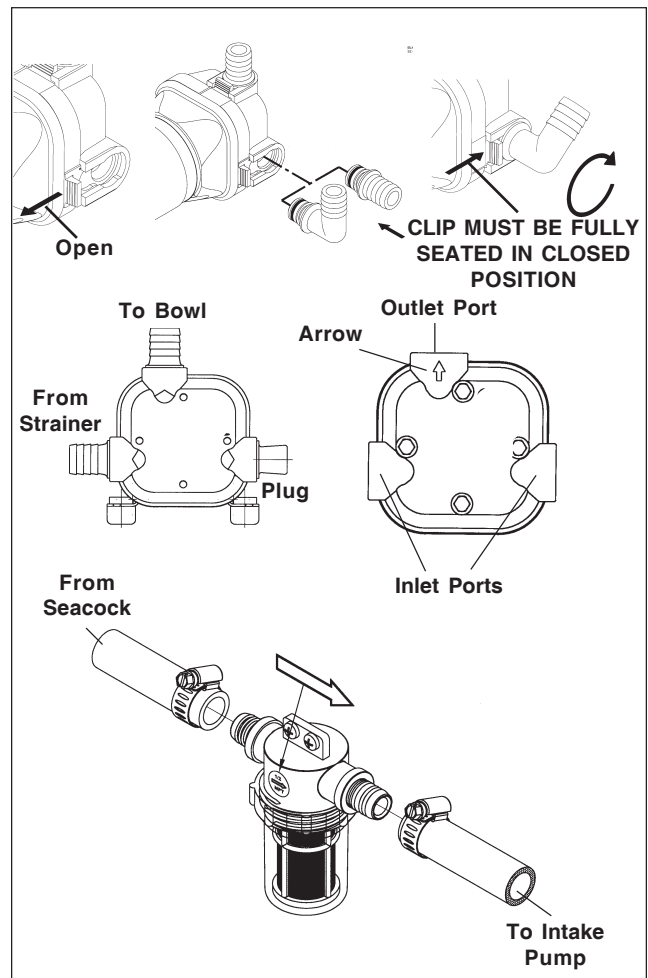
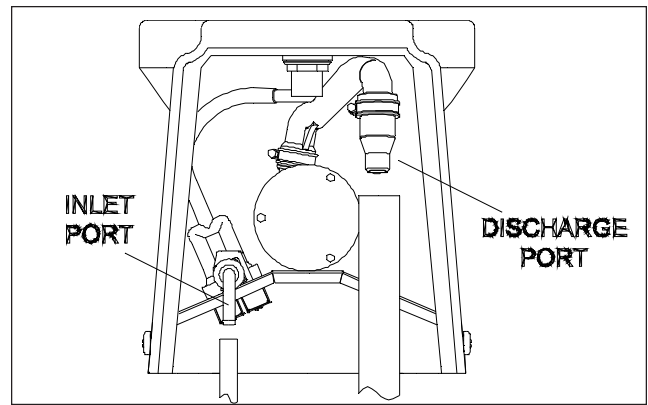
1. Slide fitting clips to open position.
 2. Select inlet port to be used.
 3. Install appropriate fittings into inlet and outlet ports.
- NOTE:** The 90° fitting can be rotated 360°.
4. Install the plug fitting into unused inlet port.

IMPORTANT: Be sure not to install plug fitting into outlet port! Damage to pump will occur!

5. Slide fitting clips back to closed position.
6. Connect hose from seacock to inlet port of optional In-Line Strainer if installed. Use hose clamp provided.
7. Connect hose from outlet port of In-Line Strainer to inlet port of intake pump. Use hose clamp provided.

IMPORTANT: Double clamp all below waterline hose connections!

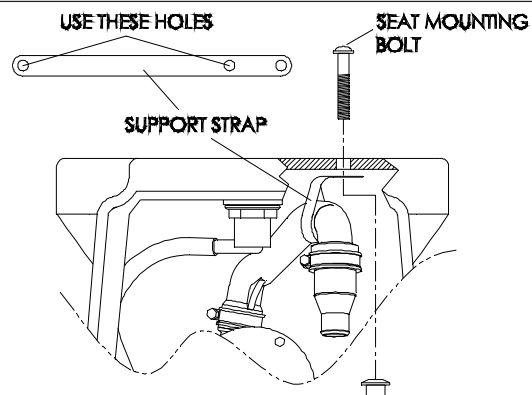
8. Connect hose from outlet port of intake pump to bowl elbow located on back of toilet bowl.



Connecting Hoses and wiring to toilet

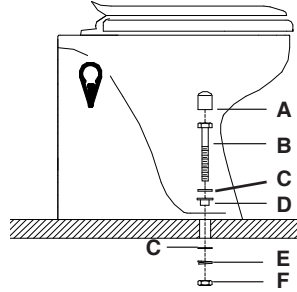
1. Route wire from control per control instruction.
2. Install seat. Install discharge support strap between seat nut and the bowl per below.
3. Install toilet in place, connect hoses and wireplugs. (see Fig.)

Caution: Do not pull on the discharge hose to avoid kinking



Mounting toilet

1. Install mounting bushings, bolts. (See Fig.)
2. Tighten bolts being careful to not overtighten (Do not exceed 30 inch lb. when tightening)
3. Install caps over mounting bolts.



- A. Vinyl cap - #VCap (supplied)
- B. 1/4-20 S/S Bolt, or 1/4 S/S Self Tapping Screw, or 1/4 S/S Lag bolt
- C. Flat Washer, Stainless Steel
- D. Nylon Shoulder Washer - #F071 (supplied)
- E. S/S Lock washer (used on top and bottom for Nut and Bolt)
- F. 1/4-20 S/S Nut

TROUBLESHOOTING

WARNING: HAZARD OF ELECTRIC SHOCK - Before beginning any work on the toilet, be sure that all power to the unit has been turned off.

WARNING: HAZARD OF FLOODING - Make sure seacocks are in the CLOSED or OFF position before working on toilet.

NOTE: The following information reflects the most probable causes and solutions to problems although not every possible cause and solution is provided.

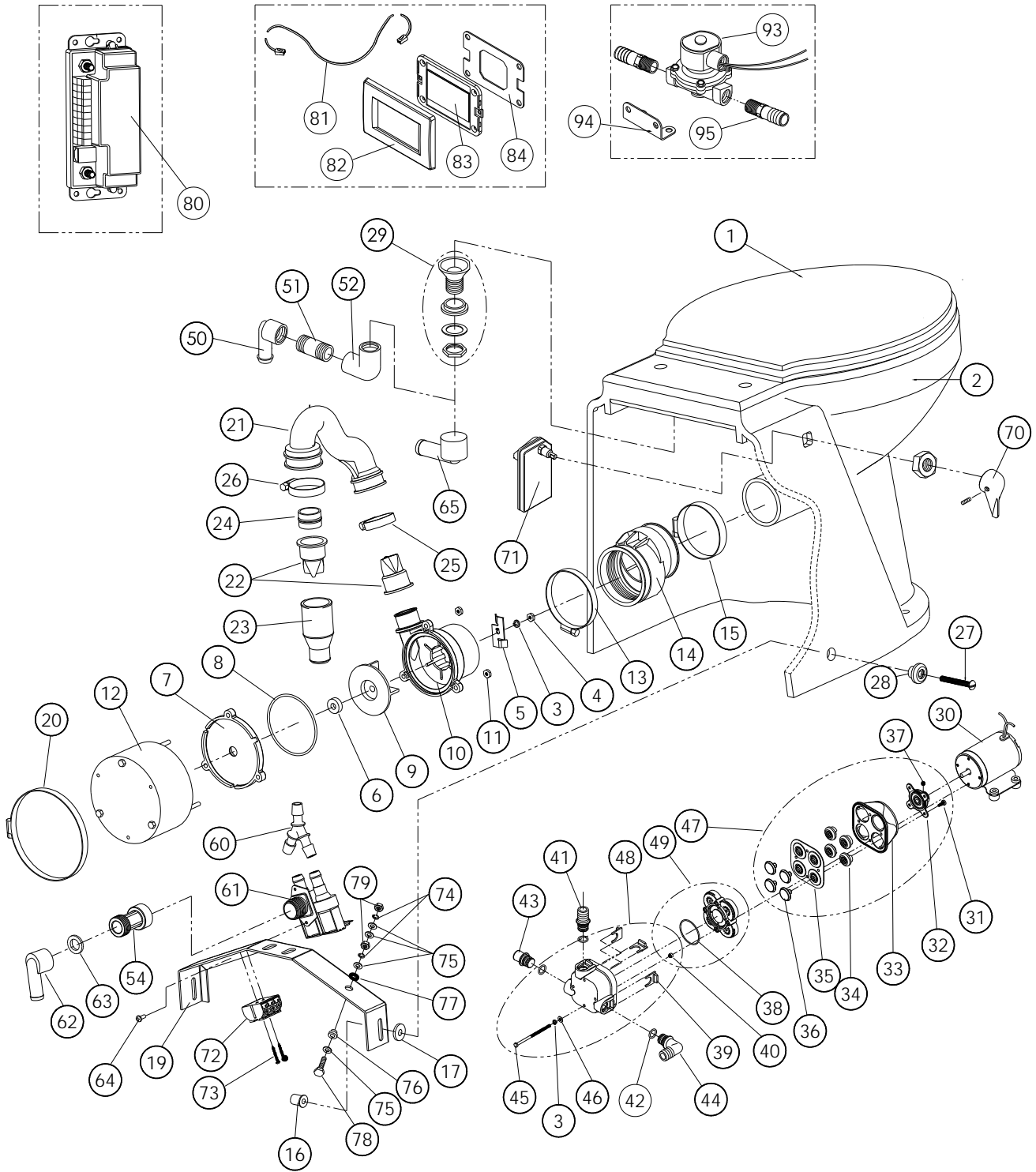
Any questions regarding servicing or operation of the Marine Elegance should be directed to our Technical Support Department in Millville, NJ or Ft. Lauderdale, FL. Please have model and serial number available before calling.

PROBLEM	POSSIBLE CAUSE	SOLUTION
1. Poor pumpout, especially solids.	1A. Clogged discharge line. 1B. Plumbing restrictions, bends and ells. 1C. Clogged vents. 1D. Mineral buildup in hoses and fittings. 1E. Low voltage.	1A. Be sure discharge seacock is open. Clear line, remove clog. 1B. Replumb to eliminate bends and ells. 1C. Clean holding tank vent and vented loop vents 1D. Clean or replace affected parts. Replace hose if needed. 1E. Check voltage at toilet while toilet is running . If less than nominal voltage of toilet (12 or 24), check condition of batteries and wire sizes. Check terminals and wire connections for corrosion (heat at terminals and junctions indicates a bad or corroded connection).
2. Poor water flow, especially at front of bowl (or no water flow).	2A. Toilet not level. 2B. Restriction in intake line. 2C. Pump sucking air. 2D. Low voltage. 2E. Clogged strainer.	2A. Raise rear of toilet; check with level. 2B. Be sure seacock is open. Clear line-remove clog. 2C. Check all connections from intake thru-hull to intake pump to be sure no air leaks are present. 2D. See 1E, above. 2E. Remove or Clear debris from strainer.
3. Foul odors from toilet area.	3A. "Marine life" lodged in rim of bowl. 3B. Permeated discharge hose. 3C. Sewage remaining in discharge line.	3A. Remove and flush bowl with pressure hose to remove all material. Install strainer in intake line to avoid recurrence. 3B. Replace hose with Raritan sanitation hose (#SH). 3C. Flush toilet longer; replace hose if permeated; reroute hose making a shorter run if possible.
4. Bowl fills while underway.	4A. Pressure buildup at seacocks.	4A. Close intake, then discharge seacock to determine which is causing problem. If discharge, be sure the vent or vented loop is clean. If intake, there is too much pressure on seacock; contact Raritan Technical Support.
5. Water leaking from under unit.	5A. Leaking Bowl Throat adapter. 5B. Leak at shaft seal. 5C. Leak from bowl spud.	5A. Tighten adapter clamps. 5B. Check seal and motor shaft. 5C. Check and reseal bowl grommet

ATLANTES FREEDOM VORTEX VAC PARTS LIST

ItemNo.	Part No.	Description			
1	1245+	Seat & Cover	63	221361	Inlet Adapter Washer
1	AL030+	Seat & Cover (Elongated)	64	F201	Screw: M4 x 10mm SS Pan Hd Phillips
2	AM002W	Atlantes Bowl (White)	65	PLA29	Elbow: 3/4 FPT x 1/2 Barbed
2	AM002AW	Atlantes Bowl (Bone)	66	SF50W	SEA FRESH: CHECK VLV HG
2	AL002W	Atlantes Bowl Elongated (White)	BOWL MOUNTED FLUSH HANDLE		
2	AL002AW	Atlantes Bowl Elongated (Ivory)	70	AM665W	Handle SS W/Set Screw
3	M23A	#10 Lockwasher SS	71	AV600	Flush Control & Wire Harness
4	1108A	10-32 SS Nut	72	ETB3	Terminal Block 3 Poles
5	161123	Macerator Blade	73	F108	Screw #4 x 7/8" (2)
6	31-102	Motor Shaft Seal	74	HLWQB	1/4" Split Lock Washer (4)
7	221110	Discharge Pump Seal Plate	75	M31	1/4" Brass Flat Washer (8)
8	221105	O-Ring	76	31-722	Nylon Shoulder Washer (2)
9	161115	Impeller	77	F069	1/4" Fiber Washer (2)
10	221115	Discharge Pump Macerator Housing	78	HSB1	1/4-20 Brass Screw (2)
11	31-114	Lock Nut 10-32 W/Nylon(3)	79	M30	1/4-20 Brass Nut (4)
12	221012	Discharge Motor 12 V	SMART TOILET CONTROL UNITS		
12	221024	Discharge Motor 24V	80	STC548	Smart Toilet Control (12 & 24VDC)
13	221125	Bowl Throat Adapter Clamp - Pump	81	STC545	Control Cable 7 ft
14	AM221120	Bowl Throat Adapter	82	221524	Wall Switch Cover Plate - White
15	221126	Bowl Throat Adapter Clamp - Bowl	82	221524A	Wall Switch Cover Plate - Ivory
16	F035	Isolation Nut (2)	83	STC543	Touch Panel W/Back Plate
17	CH57	Rubber slinger	84	221525	Touch Panel Gasket
19	AM021	Pump Mounting Bracket	MULTIFUNCTION MOMENTARY CONTROL (NOT SHOWN)		
20	221127	Discharge Motor Mounting Clamp		221553	Manual (Relay) Control
21	221140	Discharge Hose		W183C	Cable for multifunction control
22	221135	Joker Valve (2)		SF77	Switch, Vimar
23	221145	Discharge Adapter Fitting		SF74	Bazel, Vimar white
24	221146	Joker Valve Insert		SF71	Frame, Vimar
25	221160	Discharge Hose Clamp (small)	SOLENOID VALVE PRESSURIZED SEAWATER UNITS		
26	221165	Discharge Hose Clamp (large)	93	CWPS12B	1/2 GC Solenoid valve 12V
27	F089	Screw: 1/4-20x 2" (2)	93	CWPS24B	1/2 GC Solenoid valve 24V
28	AM028	Bushing(2)	93	CWPS32B	1/2 GC Solenoid valve 32V
29	1236AW	Spud Assembly	94	CWPSMB	Mounting Bracket for CWPS
REMOTE INTAKE PUMP			95	PLA14	1/2" MPT to 3/4" Barbed Nipple (2)
30	1660*	Pump Motor *	PARTS NOT SHOWN		
31	F172	Plastite Screw #10 x 1/2" (4)	RTME12D	Power Converter for 120/240VAC UNIT	
32	162325A	Bearing Plate	ADS	Deodorant System (Seawater Models)	
33	162305	Lower Housing	221170	Discharge Hose Strap	
34	162320	Piston Seat (4)	221335	Hose, 1/2 inch	
35	162310	Diaphragm	221340	Hose Clamps, 1/2 inch	
36	162315	Piston (4)	F071	Nylon Shoulder Washer (2)	
37	F005	1/4-20 x 5/16" SS Hex SOC	VCAP+	Vinyl Cap (2)	
38	162225	O-Ring	ADDITIONAL ACCESSORIES AVAILABLE FROM RARITAN		
39	162420	Fitting Clip (3)	1PCP22	C.P. Cleans Potties, 22 OZ	
40	162135	Cone Seal (4)	1PCHGAL	Cleans Hoses, Tanks and MSD (gal.)	
41	162410	3/4" Hose Barb Straight	SFH	Sanitation Hose 1 1/2" (sold by foot)	
42	162425	O-Ring (3)	163000	Seawater Inline Strainer	
43	162415	Plug Fitting	TD90323	Vented Loop 38mm White	
44	162405	3/4" Hose Barb 90° Fitting	TD90319	Vented Loop 19mm White	
45	F162VT	Inlet Pump Mounting Bolt (4)	TD90314W	Aquavalve White with (3) TD90294 Tails	
46	F144	#10 Washer SS Flat (2)			
47	162300W	Lower Housing Assembly	+ specify color		
48	162100W	Upper Housing Assembly	* specify Voltage (12, 24 or 32 volt)		
49	162200W	Middle Housing Assembly			
50	1236E	Bowl Elbow			
51	AM012	Nipple			
52	AM011	Elbow			
PRESSURIZED FRESH WATER UNITS					
60	221362	Y Fitting			
61	221353	Solenoid Valve 12VDC D90			
51	221354	Solenoid Valve 24VDC D90			
62	221365	Inlet Adapter Assembly 90 Degrees (Includes Item 63)			

EXPLODED PARTS



Atlantes Freedom Vortex Vac Exploded Parts View

LIMITED WARRANTY

Raritan Engineering Company warrants to the original purchaser that this product is free of defects in materials or workmanship for a period of one year from the product's date of purchase. Should this product prove defective by reason of improper workmanship and/or materials within the warranty period, Raritan shall, at its sole option, repair or replace the product.

1. TO OBTAIN WARRANTY SERVICE, Consumer must deliver the product prepaid, together with a detailed description of the problem, to Raritan at 530 Orange St., Millville, N.J. 08332, or 3101 SW 2nd Ave. Ft. Lauderdale, FL 33315. When requesting warranty service, purchaser must present a sales slip or other document which establishes proof of purchase. **THE RETURN OF THE OWNER REGISTRATION CARD IS NOT A CONDITION PRECEDENT OF WARRANTY COVERAGE.** However, please complete and return the owner Registration Card so that Raritan can contact you should a question of safety arise which could affect you.
2. THIS WARRANTY DOES NOT COVER defects caused by modifications, alterations, repairs or service of this product by anyone other than Raritan; defects in materials or workmanship supplied by others in the process of installation of this product; defects caused by installation of this product other than in accordance with the manufacturer's recommended installation instructions or standard industry procedures; physical abuse to, or misuse of, this product. This warranty also does not cover damages to equipment caused by fire, flood, external water, excessive corrosion or Act of God.
3. ANY EXPRESS WARRANTY NOT PROVIDED HEREIN, AND ANY REMEDY FOR BREACH OF CONTRACT WHICH BUT FOR THIS PROVISION MIGHT ARISE BY IMPLICATION OR OPERATION OF LAW, IS HEREBY EXCLUDED AND DISCLAIMED. ALL IMPLIED WARRANTIES SUCH AS THOSE OF MERCHANTABILITY AND OF FITNESS FOR A PARTICULAR PURPOSE, IF APPLICABLE, AS WELL AS ANY IMPLIED WARRANTIES WHICH MIGHT ARISE BY IMPLICATION OF LAW, ARE EXPRESSLY LIMITED TO A TERM OF ONE YEAR. SOME STATES DO NOT ALLOW LIMITATIONS ON HOW LONG A LIMITED WARRANTY LASTS, SO THE ABOVE LIMITATION MAY NOT APPLY TO YOU.
4. UNDER NO CIRCUMSTANCES SHALL RARITAN BE LIABLE TO PURCHASER OR ANY OTHER PERSONS FOR ANY SPECIAL OR CONSEQUENTIAL DAMAGES, WHETHER ARISING OUT OF BREACH OF WARRANTY, BREACH OF CONTRACT, OR OTHERWISE. SOME STATES DO NOT ALLOW THE EXCLUSION OR LIMITATION OF INCIDENTAL OR CONSEQUENTIAL DAMAGES, SO THE ABOVE LIMITATION OR EXCLUSION MAY NOT APPLY TO YOU.
5. No other person or entity is authorized to make any express warranty, promise or affirmation of fact or to assume any other liability on behalf of Raritan in connection with its products except as specifically set forth in this warranty.
6. This warranty gives you specific legal rights, and you may also have other rights which vary from state to state.



530 Orange Street, Millville, NJ 08332 USA
Telephone: 856-825-4900 FAX: 856-825-4400
www.raritaneng.com

Southern Office and Plant:
3101 SW Second Avenue, Fort Lauderdale, FL 33315 USA
Telephone: 954-525-0378 FAX: 954-764-4370