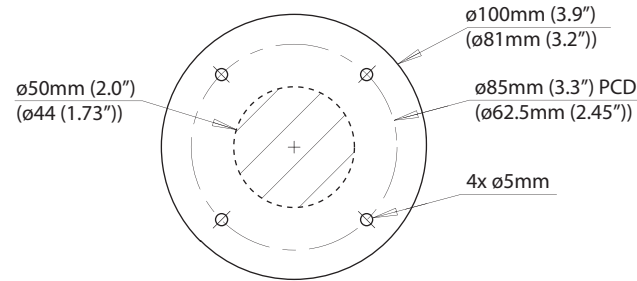
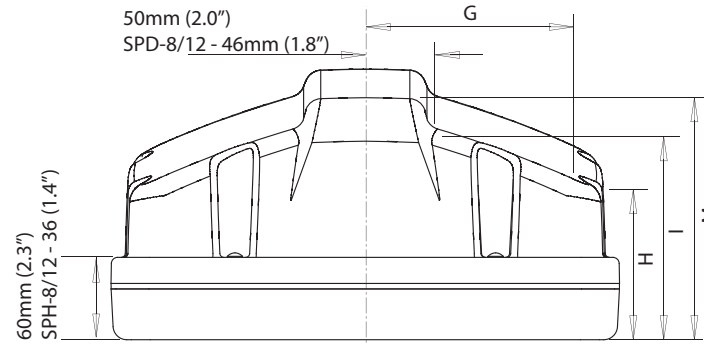
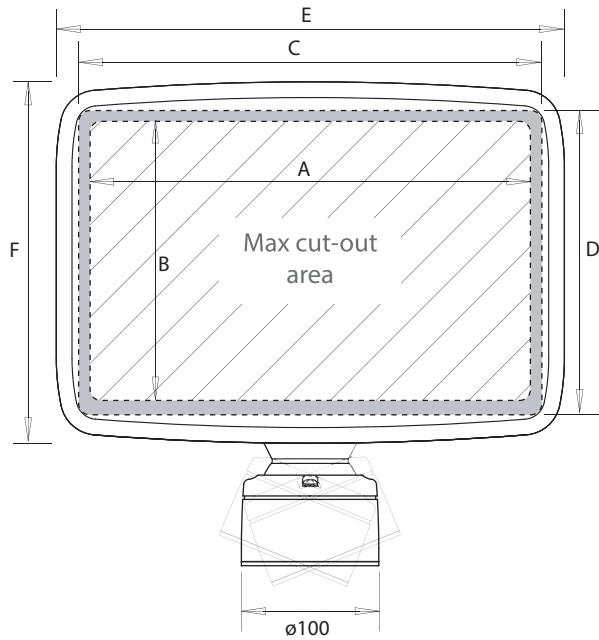
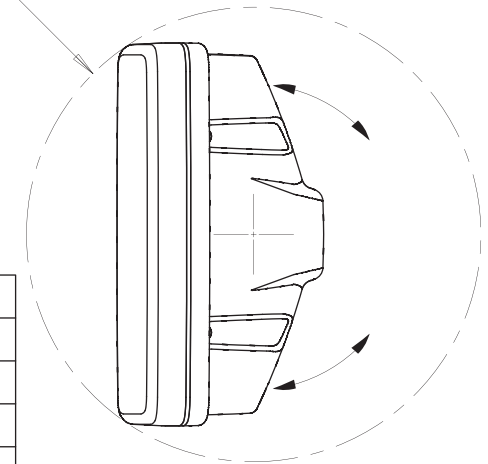
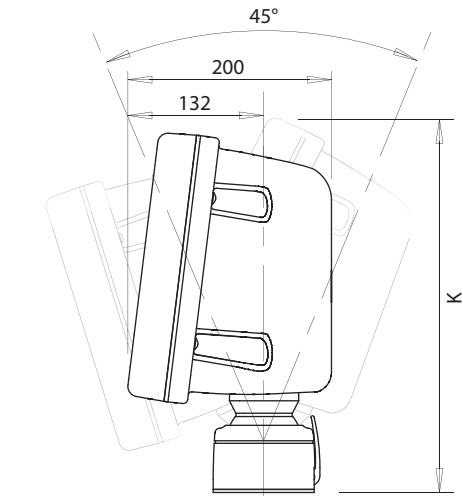


# Deck Pod

For help & information  
 email: [technical@scanstrut.com](mailto:technical@scanstrut.com)  
 tel: +44 (0) 1803 863800



Base Footprint  
 (SPD-7/7S dimensions in brackets)



	A	B	C	D	E	F	G	H	I	J	K	M
	mm / inches	mm / inches	mm / inches	mm / inches	mm / inches	mm / inches	mm / inches	mm / inches	mm / inches	mm / inches	mm / inches	mm / inches
SPD-7S	218/8.5	140.5/5.5	240/9.4	159/6.25	275/10.8	196/7.7	109/4.3	78/3.1	87/3.43	295/11.6	253/10	101/4.0
SPD-7	218/8.5	140.5/5.5	240/9.4	159/6.25	275/10.8	196/7.7	111/4.3	108/4.25	136/5.35	295/11.6	253/10	144/5.7
SPD-8	267/10.5	167/6.6	289/11.4	190/7.5	324/12.75	228/8.97	128.5/5	134/5.3	152.8/6	346/13.6	310/12.2	167/6.6
SPD-8D	312/12.3	200/7.9	334/13.1	223/8.8	371/14.6	264/10.4	150/5.9	111/4.4	150/5.9	440/17.3	367/14.4	175/6.9
SPD-12	332.5/13	227/9	354.5/14	244.5/9.5	392/15.5	286/11.3	170/6.7	109/4.3	145/5.7	410/16	369/14.5	167/6.6
SPD-12D	365/14.4	241/9.5	384/15.1	263/10.4	424/16.7	304/12.0	169/6.5	140/5.5	160/6.3	485/19.1	404/15.9	175/6.9
SPD-15D	423/16.7	333/13.1	424/16.7	349/13.7	482/19.0	396/15.6	199/7.8	104/4.1	146/5.7	535/21.1	490/19.3	175/6.9



**SCANSTRUT.**  
 designed for life at sea