

MiniMax

The Verna Ski was developed for V-drives and locations where the space was short, but larger in diameter. The design is based on the Vernatone family of inline mufflers.

Application: V Drives and shortage of space

Fuel type: Gas/Diesel

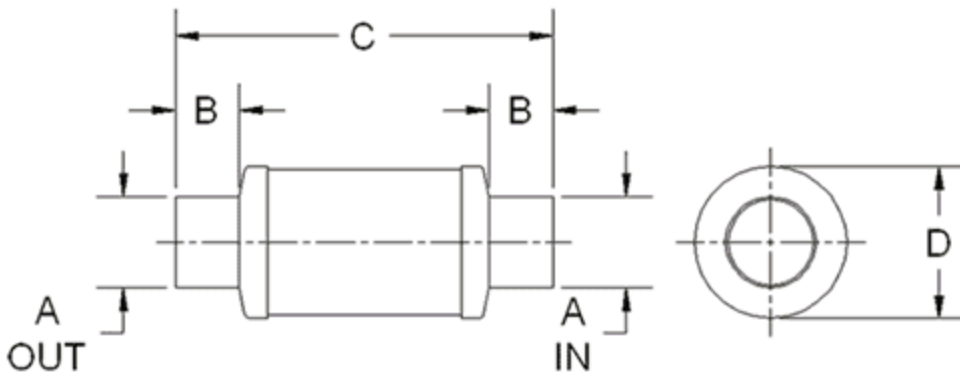
Waterline: Above only

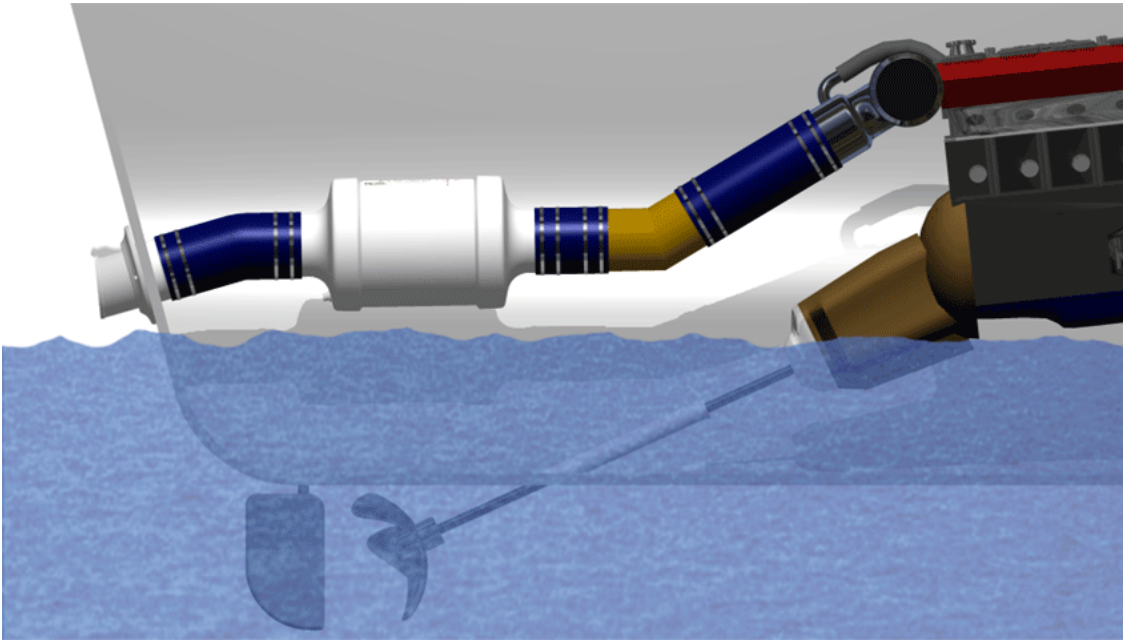
Sound rating: Fair



MINI-MAX™

Part #	A		B		C		D	
	IN/OUT	INCHES	I/O LENGTH	INCHES	LENGTH	INCHES	DIAMETER	MM
1050250	2.50	64	2.00	51	12.75	324	6.38	162
1050300	3.00	76	2.50	64	13.75	349	6.38	162
1050350	3.50	89	2.50	64	14.75	375	6.38	162
1050400	4.00	102	3.00	76	16.75	425	8.38	213
1050450	4.50	114	3.00	76	18.75	476	8.38	213
1050500	5.00	127	3.50	89	20.75	527	8.38	213
1050600	6.00	152	4.00	102	25.00	635	10.04	255





The following table is for general recommendations only:

IN & OUT SIZE / MAXIMUM H.P.		
Dia. A	Gasoline	Diesel
1.50" or 1.63"	30	10
2.00"	60	25
2.50"	110	40
3.00"	160	60
3.50"	220	85
4.00"	280	125
4.50"	320	170
5.00"	370	210
6.00"	440	280
8.00"	--	420
10.00"	--	680
12.00"	--	900
14.00"	--	1150

NOTE: For V-Block engines where twin exhaust lines are desired, divide the H.P. by two and then match to the appropriate size.