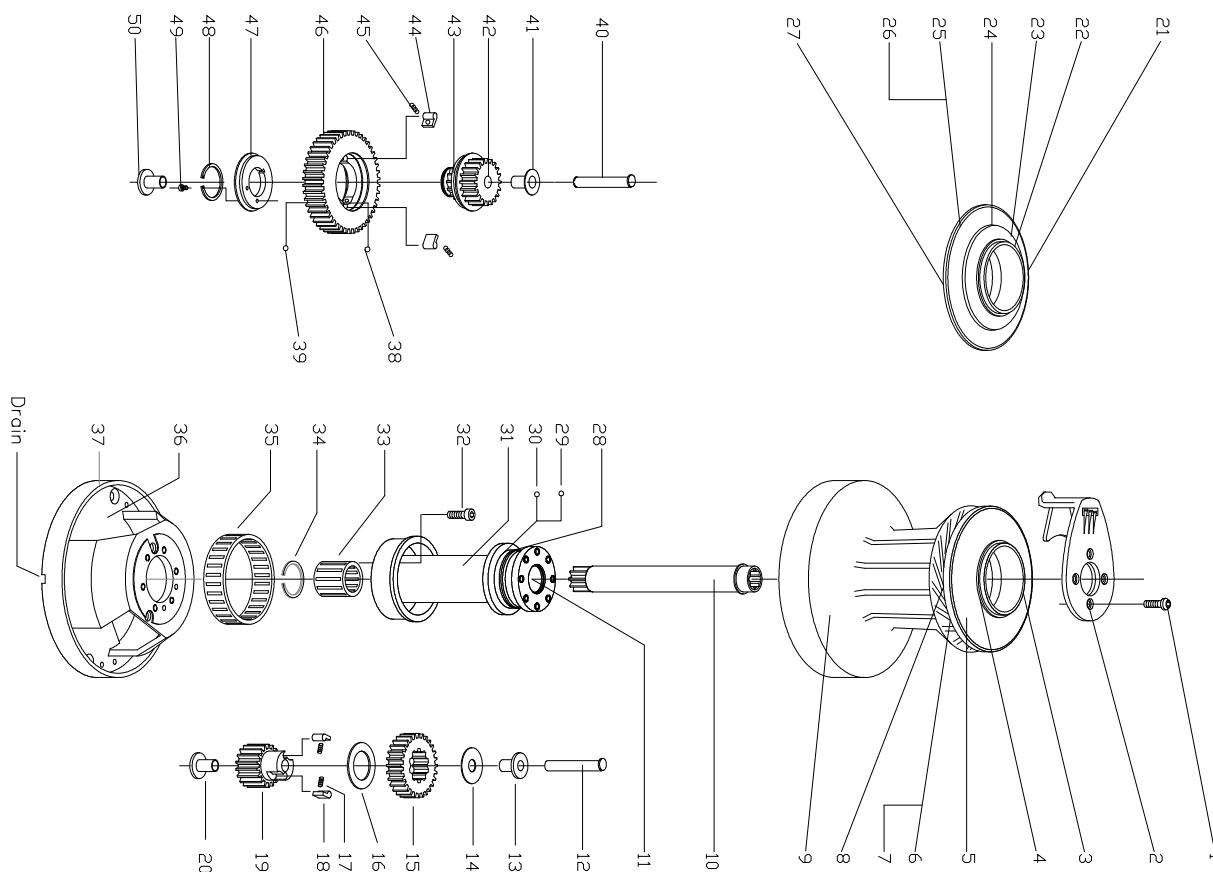


**ANDERSEN Winch 58ST - 62ST**  
VERSION 1.0



**SERVICE KIT 12**

**FOR WINCH 58ST – 62 ST**

**Part. No. 710012**

The service kit consists:

QTY.	DESCRIPTION	PART. NO.
1	Screw M8X16	588800
1	Screw M8X16	DIN6912-A4-M8X16
1	Screw M8X16	ISO7380-A4-M8X16
1	Screw M8X16	DIN912-A4-M8X16
8	Spring	533500
4	Pawl	533400
2	Ball, Stainless steel	526301
2	Ball POM	566302
1	Retaining ring	524500
2	Bushing composite	525601
2	Bushing composite	525600
1	Circlip	590400U
1	Circlip	593400
2	Bushing	786600

Please unfold the this page to see the Complete Part Lists and Exploded Views for the winches.

Note! Variations can occur due to changes of the winch specifications.

**Manufactured by:**

**Fr. Andersens Maskinfabrik A/S**

**DK – 7100 Vejle Denmark**

**www.andersenwinches.com**

**E-mail: info@andersenwinches.com**



# 58ST/ - 62ST PARTS LIST

Version 1.3

POS.	QTY.	DESCRIPTION	ART. NO.
1.	4	Screw	ISO 7380-A4-M8×16
2.	1	Self-tailing arm 58ST	745500
2.	1	Self-tailing arm 62ST	745510
3	1	Consol for self-tailing 8-18mm., standard	525011
4.	1	Circlip	590400U
5.	1	Disc spring, standard	737000
6.	1	Driving plate, standard 8-18mm.	736105
7.	6	Screw M6, standard	585100
8.	1	Self-tailing top 8-18mm. Cpl., standard	540460
9.	1	Drum complete 8-18mm, standard	745350
9.	1	Drum complete 8-18mm, full stainless	745310
10.	1	Drive shaft cpl.	527800
11.	1	Bushing	716503
12.	1	Shaft	526800
13.	1	Bushing	525600
14.	1	Washer	524300
15.	1	Ratchet gear 58ST	524900
15.	1	Ratchet gear 62ST	529700
16.	1	Washer	526400
17.	2	Spring	533500
18.	2	Pawl	533400
19.	1	Pawl gear 58ST	524800
19.	1	Pawl gear 62ST	520300
20.	1	Bushing	525600
21.	1	Consol for self-tailing 8-18mm., full stainless	525011
22.	1	O-ring	RD100432
23.	1	Circlip	590400U
24.	1	Top ring, full stainless	521201
25.	1	Self-tailing top 8-18mm. Cpl., full stainless	540440
26.	6	Screw M6, full stainless	585100
27.	1	Driving plate, full stainless 8-18mm.	736121
28.	1	Retaining ring	524500
29.	14	Ball, stainless steel	526301
30.	15	Ball, POM	536302
31.	1	Upper base	742001
32.	6	Screw	DIN912-A4-M8X16
33.	1	Roller bearing cpl.	724100
34.	1	Circlip	724300
35.	1	Roller bearing cpl.	528601
36.	1	Lower base	745101
37.	1	Base cover, standard	745700
37.	1	Base cover, full stainless	745720
38.	35	Ball, stainless steel	724900
39.	35	Ball, stainless steel	724900
40.	1	Shaft	526800
41.	1	Bushing	525600
42.	1	Ratchet gear	524701
43.	1	Ball bearing ring	588400
44.	2	Pawl	533400
45.	2	Spring	533500
46.	1	Pawl gear	524601
47.	1	Ball bearing ring	588500
48.	1	Circlip	593400
49.	2	Screw	DIN84-A4-M4X5
50.	1	Bushing	525601