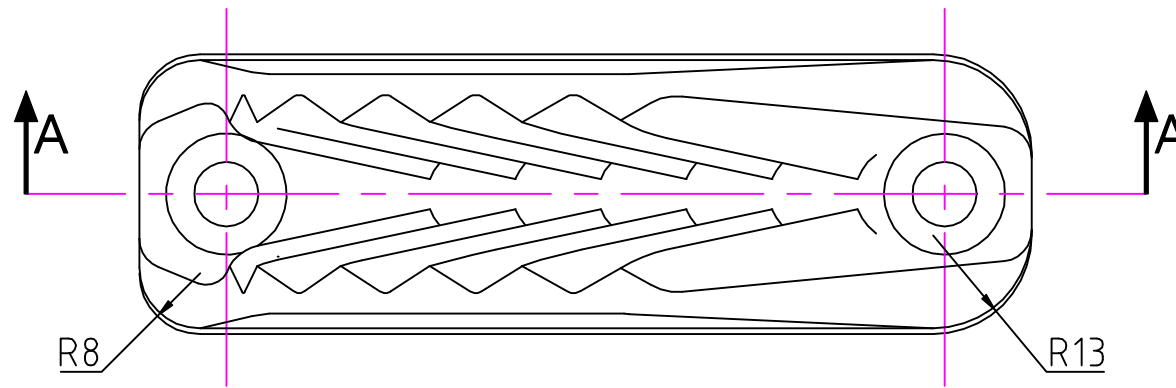
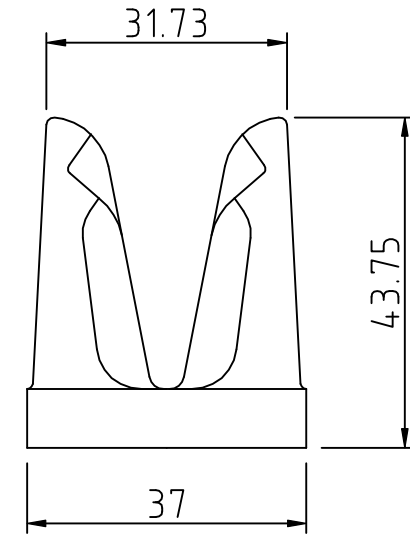
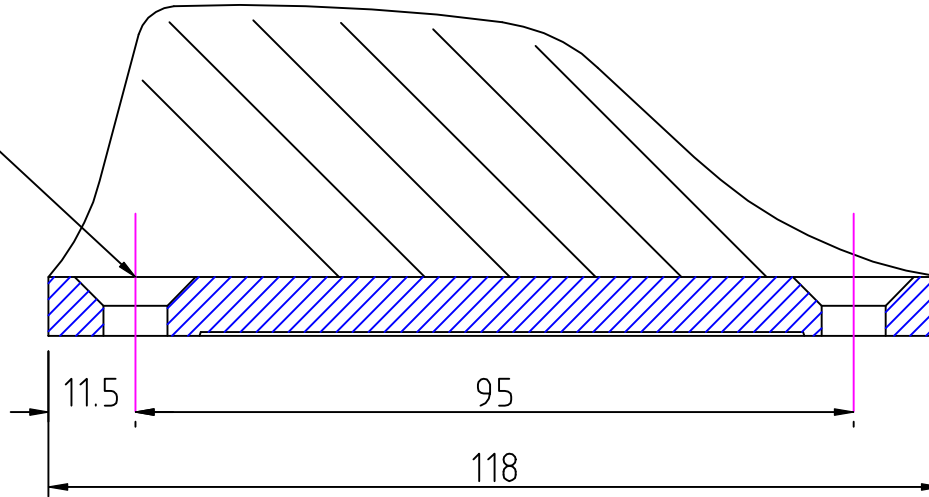

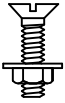
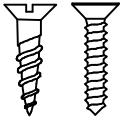



2 Holes $\varnothing 8.5$
countersunk $\varnothing 16 \times 90^\circ$

Section 'AA'



	 M8 5/16"
 8mm. No.16	 $\varnothing 12-16\text{mm}$ 1/2" - 5/8"

Issue: 2. July 1998
ID220.dwg

Material:
Diecast Aluminium

Installation Drawing for:-

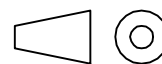
CL220

Racing Major

Clamcleat®
Rope cleats

Clamcleats Limited
Watchmead
Welwyn Garden City
Hertfordshire AL7 1AP
England

Telephone +44 (0)1707 330101
Fax +44 (0)1707 321269
<http://www.clamcleat-rope-cleats.com>



Scale 1:1
All dimensions in mm.